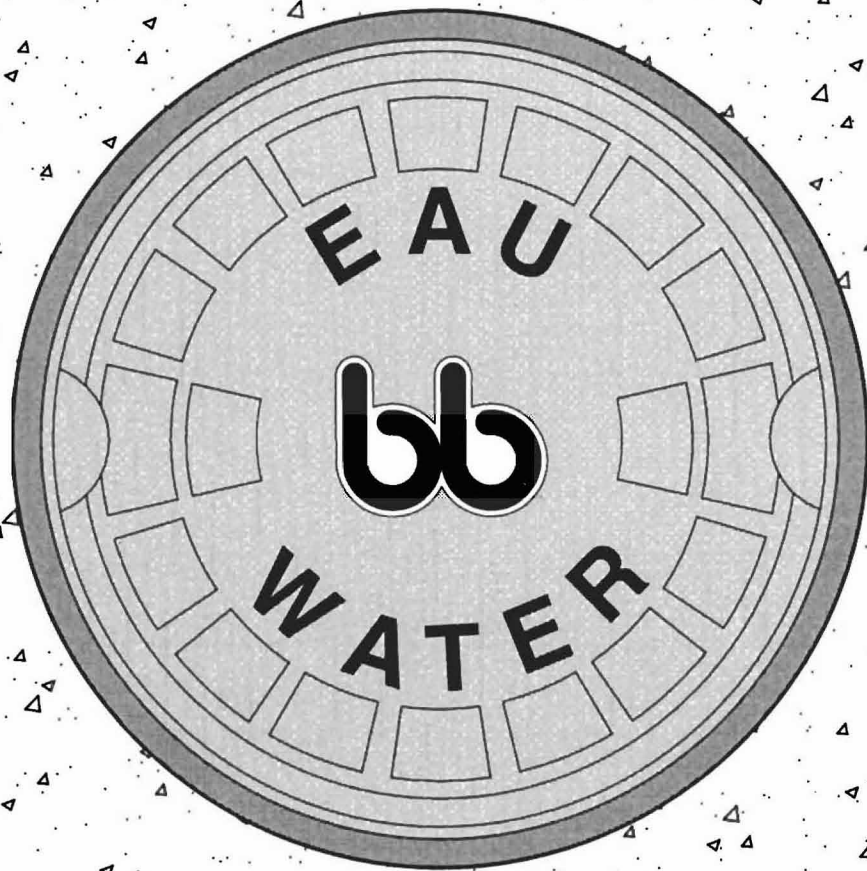


VALVE



High Quality
Grey Iron
Castings

BOXES



VB-0306

BIBBY-STE-CROIX

INDEX

How to order _____ 1

Locking Ring _____ 1

4 1/4"- 105mm Slide Valve Boxes

Complete _____ 2

Components - Regular Style _____ 3

Components - Deep Style _____ 4

Optional Components _____ 5

5 1/4"- 130mm Slide Valve Boxes

Complete _____ 6

Components - Regular Style _____ 8

Components - Deep Style _____ 9

Optional Components _____ 12

5 1/4"- 130mm Slide Valve Boxes with #6 Base

Complete _____ 7

Components _____ 10

Components optional _____ 12

5 1/4"- 130mm Screw Valve Boxes with #6 Base

Complete _____ 7

Components _____ 11

Components optional _____ 12

Various Optional Components _____ 13-14

5 1/4 - 130mm Ottawa Valve Boxes _____ 15

Centre extensions & Deep bury Valve Boxes assemblies _____ 16



www.bibby-ste-croix.com

RANSOM INDUSTRIES

BIBBY-STE-CROIX

STANDARD ASSEMBLIES

Valve box assemblies of any desired length can be ordered simply by requesting the proper assembly number.

SPECIAL ASSEMBLIES

Assemblies requiring locking covers, flanged top, extensions, etc. can be ordered by requesting the assembly number of proper size and length and adding the number pertaining to the special component.

To order a VB-1500 valve box with a locking cover request as follows: "VB-1500 plus a VB-850."

A locking cover would then be substituted for the standard cover.

COMPONENTS

Component parts can be ordered separately by requesting proper part number.

VALVE BOX LENGTH

A valve box is installed approximately one foot above the centre line of water main. Therefore the valve box length is equal to the distance from the centre line of the main less one foot.

COVERS

BIBBY-STE-CROIX has redesigned their valve box covers to prevent lifting by passing traffic.

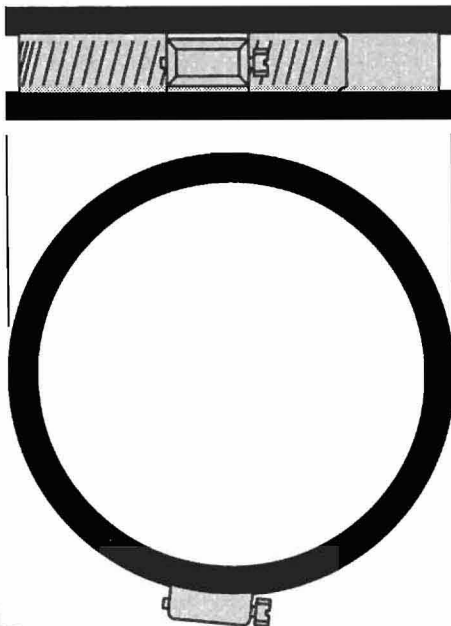
SERVICE

We hope this catalogue and the use of order numbers will be of help to you and allow us to serve you better.

LOCKING RING (for use with Valve Boxes)

4 1/4" - 105mm VB404 - 7393

5 1/4" - 130mm VB405 - 7394



DESCRIPTION

The gasket is moulded from a neoprene compound and is designed for use with cast iron valve box top and extensions. The clamping device is of stainless steel.

ADVANTAGES

In addition to installation of top or extension at desired height before refilling of trench, the neoprene locking ring, while tested to withstand extensive weight pressures, has the advantage of being flexible and of being long lasting. It is also very easy to install.

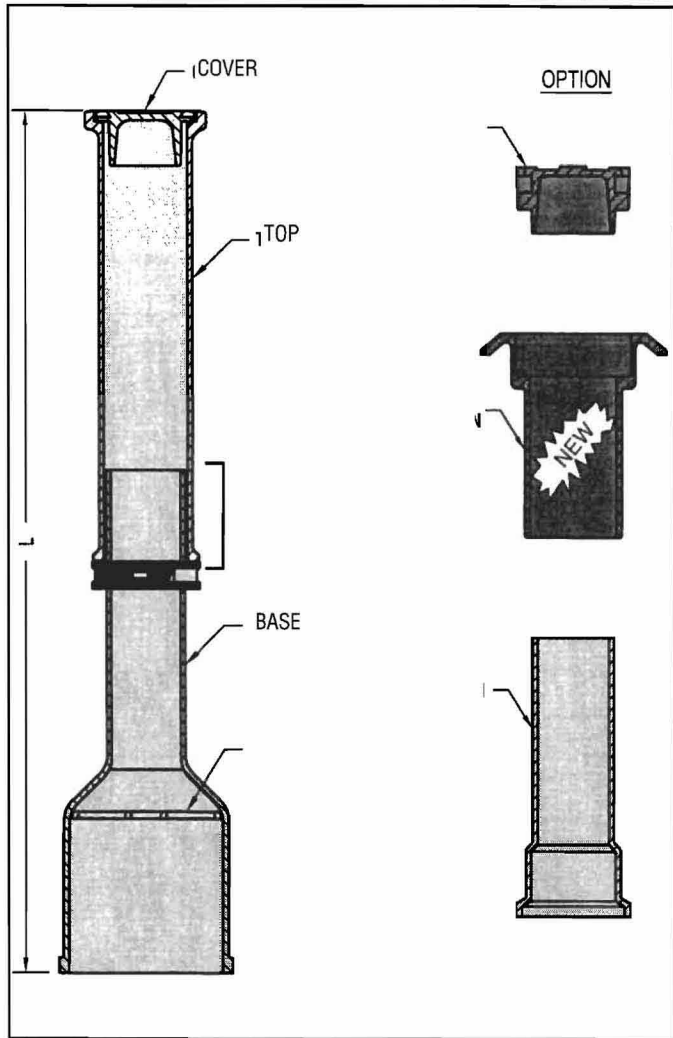


www.bibby-ste-croix.com

RANSOM INDUSTRIES

BIBBY-STE-CROIX

REGULAR STYLE



DEEP STYLE

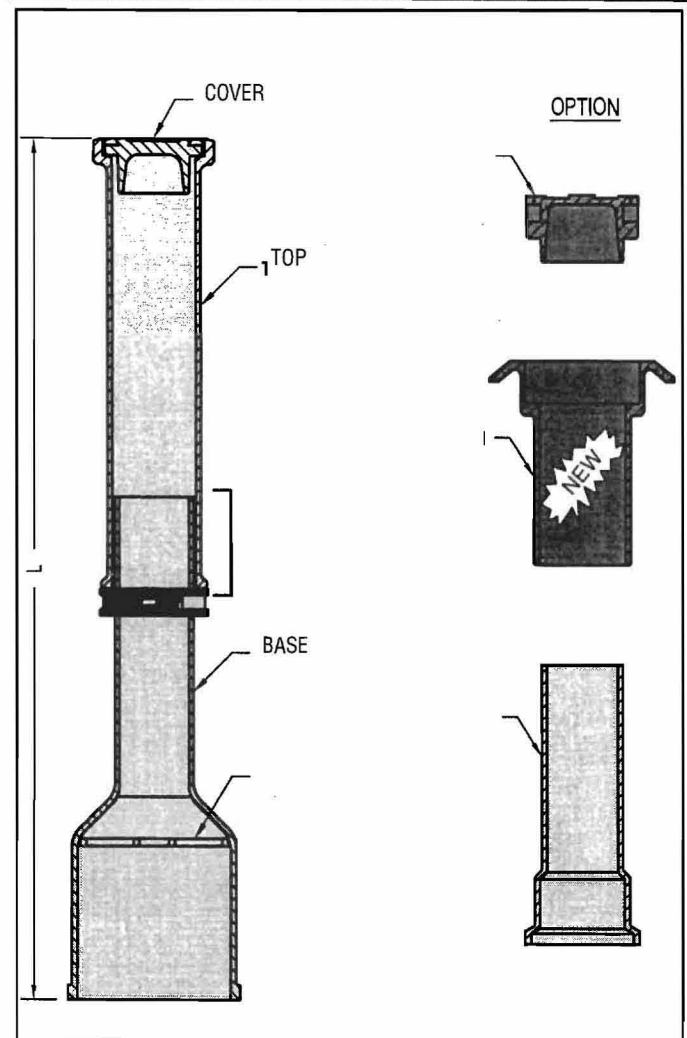


Fig.#	Nominal length (L)	Minimum maximum extension	Weight	Nominal length (L)	Minimum maximum extension	Weight
VB1000	5.0	3.6 - 5.2	89	1.5	1.05 - 1.55	40
VB1100	6.0	4.6 - 6.2	104	1.8	1.35 - 1.85	47
VB1200	7.0	5.6 - 7.2	114	2.1	1.65 - 2.15	52
VB1300	8.0	6.0 - 8.6	143	2.4	1.80 - 2.55	65
VB1400	9.0	6.6 - 9.6	163	2.7	1.95 - 2.85	74
VB1500	10.0	8.6 - 10.6	176	3.0	2.55 - 3.15	80
VB1600	11.0	9.6 - 11.6	196	3.3	2.70 - 3.45	89
VB1700	12.0	10.0 - 12.6	209	3.6	3.00 - 3.75	95
	Feet, inches		lb		M.	kg

Fig.#	Nominal length (L)	Minimum maximum extension	Weight	Nominal length (L)	Minimum maximum extension	Weight
VB1000D	5.0	3.3 - 4.11	100	1.5	1.00 - 1.50	45
VB1100D	6.0	4.3 - 5.11	115	1.8	1.30 - 1.80	52
VB1200D	7.0	5.3 - 6.11	125	2.1	1.60 - 2.10	57
VB1300D	8.0	5.9 - 8.3	146	2.4	1.75 - 2.55	66
VB1400D	9.0	6.3 - 9.3	166	2.7	1.90 - 2.80	75
VB1500D	10.0	8.3 - 10.3	171	3.0	2.50 - 3.10	78
VB1600D	11.0	9.3 - 11.3	191	3.3	2.65 - 3.40	87
VB1700D	12.0	9.9 - 12.3	196	3.6	2.95 - 3.70	89
	Feet, inches		lb		M.	kg

*The guide plate is necessary in order to centre the bell bottom part of the valve box on the valve.



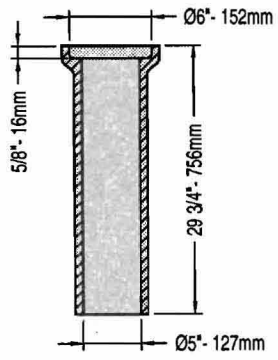
www.bibby-ste-croix.com

RANSOM INDUSTRIES

BIBBY-STE-CROIX

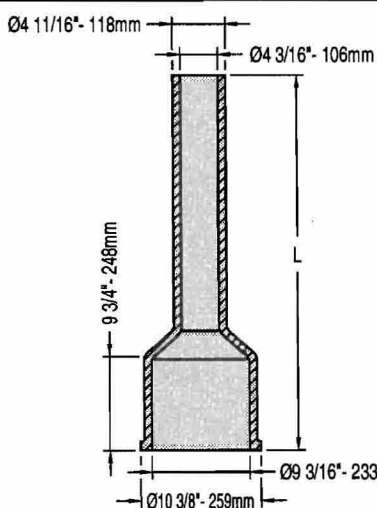
COMPONENTS	COVER	GUIDE PLATE	TOP	BELL BOTTOM			EXTENSIONS		
CODE	7319	7339	7300	7304	7305	7306	7334	7335	7336
FIG.#	VB800	VB875	VB600	VB500L	VB505L	VB510L	VB700	VB705	VB710
Completes Assemblies	VB1000	1	1	1	1				
	VB1100	1	1	1		1			
	VB1200	1	1	1			1		
	VB1300	1	1	1			1	1	
	VB1400	1	1	1			1	1	
	VB1500	1	1	1			1	1	1
	VB1600	1	1	1			1	1	1
VB1700	1	1	1			1	1	2	

TOP



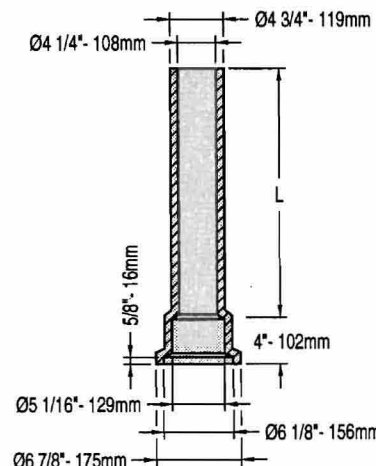
Code	Fig.#	Weight (lb)	Weight (kg)
7300	VB600	28	13

BELL BOTTOM



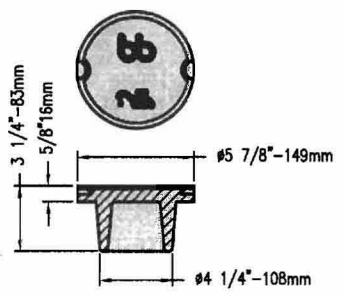
Code	Fig.#	L (in.)	Weight (lb)	L (mm)	Weight (kg)
7304	VB500L	36	50	914	23
7305	VB505L	53	65	1346	29
7306	VB510L	61 3/4	75	1568	34

EXTENSION



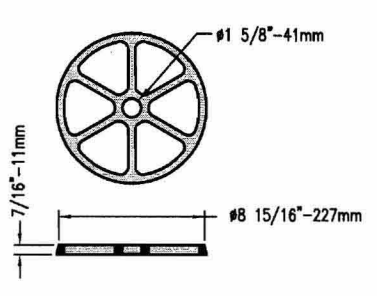
Code	Fig.#	L (in.)	Weight (lb)	L (mm)	Weight (kg)
7334	VB700	12	20	305	9
7335	VB705	18	29	457	13
7336	VB710	24	33	610	15

COVER



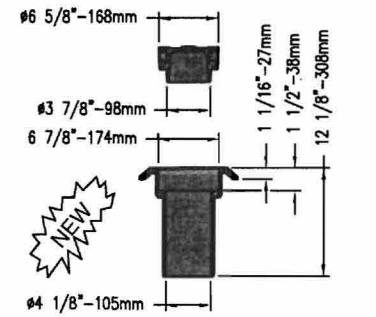
Code	Fig.#	Weight (lb)	Weight (kg)
7319	VB800	8	4

GUIDE PLATE



Code	Fig.#	Weight (lb)	Weight (kg)
7339	VB875	3	1

FLOATING EXTENSION



Code	DESCRIPTION	Weight (lb)	Weight (kg)
738D	FLOATING EXTENSION	30	14
738E	COVER	12	6

See page 5 for optional components 4 1/4" - 105 mm.



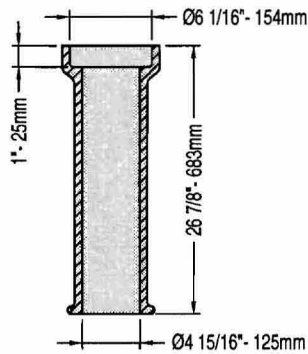
www.bibby-ste-croix.com

RANSOM INDUSTRIES

BIBBY-STE-CROIX

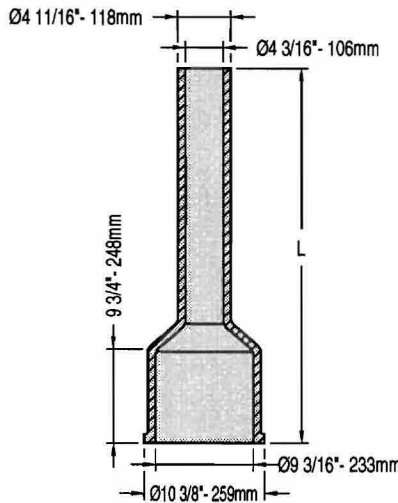
COMPONENTS	COVER	GUIDE PLATE	TOP	BELL BOTTOM			EXTENSIONS		
CODE	7317	7339	7303	7304	7305	7306	7328	7329	7330
FIG.#	VB800D	VB875	VB600D	VB500L	VB505L	VB510L	VB700D	VB705D	VB710D
Completes Assemblies	VB1000D	1	1	1	1				
	VB1100D	1	1	1		1			
	VB1200D	1	1	1			1		
	VB1300D	1	1	1			1	1	
	VB1400D	1	1	1			1	1	
	VB1500D	1	1	1			1	1	1
	VB1600D	1	1	1			1	1	1
	VB1700D	1	1	1			1	1	2

TOP/BOTTOM FLANGE



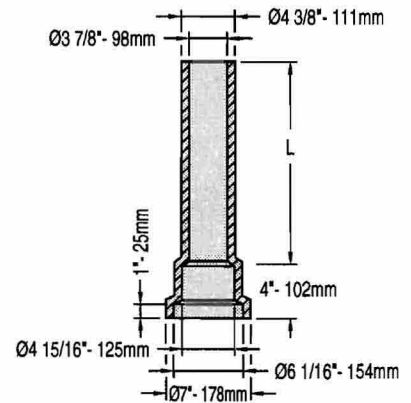
Code	Fig.#	Weight (lb)	Weight (kg)
7303	VB610D	38	17

BELL BOTTOM



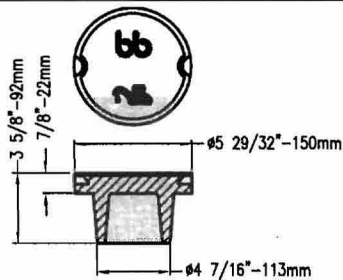
Code	Fig.#	L (in.)	Weight (lb)	L (mm)	Weight (kg)
7304	VB500L	36	50	914	23
7305	VB505L	53	65	1346	29
7306	VB510L	61 3/4	75	1568	34

EXTENSION



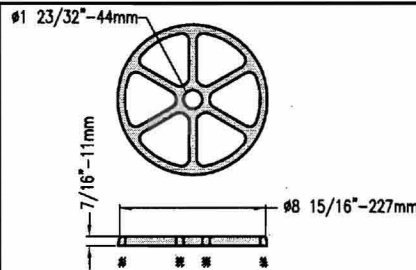
Code	Fig.#	L (in.)	Weight (lb)	L (mm)	Weight (kg)
7328	VB700D	12	20	305	9
7329	VB705D	18	21	457	10
7330	VB710D	24	25	610	11
7331	4009-D3	36	35	914	16
7332	4009-D4	48	45	1219	20
7333	4009-D5	60	50	1524	23

COVER



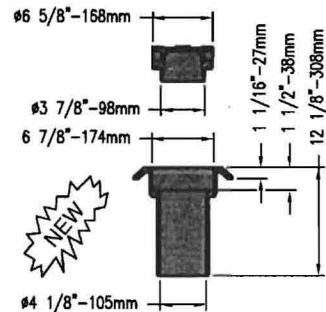
Code	Fig.#	Weight (lb)	Weight (kg)
7317	VB800D	9	4

GUIDE PLATE



Code	Fig.#	Weight (lb)	Weight (kg)
7339	VB875	3	1

FLOATING EXTENSION



Code	DESCRIPTION	Weight (lb)	Weight (kg)
738D	FLOATING EXTENSION	30	14
738E	COVERCLE	12	6

See page 5 for optional components 4 1/4" - 105 mm.

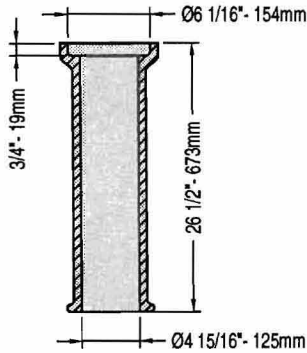


www.bibby-ste-croix.com

RANSOM INDUSTRIES

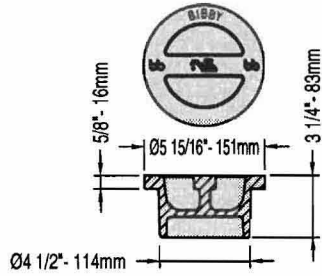
BIBBY-STE-CROIX

TOP/BOTTOM FLANGE



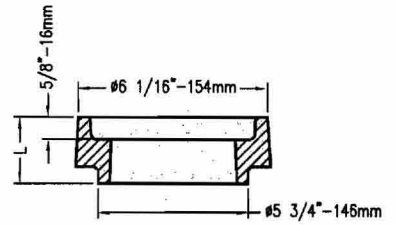
Code	Fig.#	Weight (lb)	Weight (kg)
7302	VB610	38	17

COVER



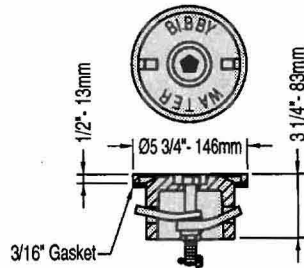
Code	Fig.#	Weight (lb)	Weight (kg)
7320	VB801	8	4

RISER



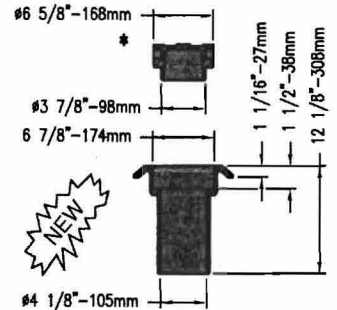
Code	Fig.#	L (in.)	Weight (lb)	L (mm)	Weight (kg)
7325	VB720	1 3/8	5	35	2
7326	VB721	2	7	51	3
7327	VB722	3	13	76	6

LOCKING COVER



Code	#Fig.	Weight (lb)	Weight (kg)
7321	VB850	9	4

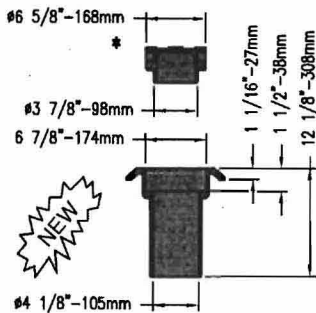
FLOATING EXTENSION



Code	DESCRIPTION	Weight (lb)	Weight (kg)
738D	FLOATING EXTENSION	30	14
738E	COVER	12	6

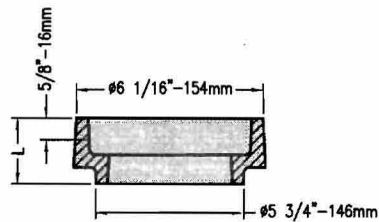
OPTIONAL COMPONENTS - DEEP STYLE 4 1/4" - 105mm SLIDE VALVE BOXES

FLOATING EXTENSION



Code	DESCRIPTION	Weight (lb)	Weight (kg)
738D	FLOATING EXTENSION	30	14
738E	COVER	12	6

RISER



Code	Fig.#	L (in.)	Weight (lb)	L (mm)	Weight (kg)
7322	VB720D	1 3/8	5	35	2
7323	VB721D	2	7	51	3
7324	VB722D	3	11	76	5

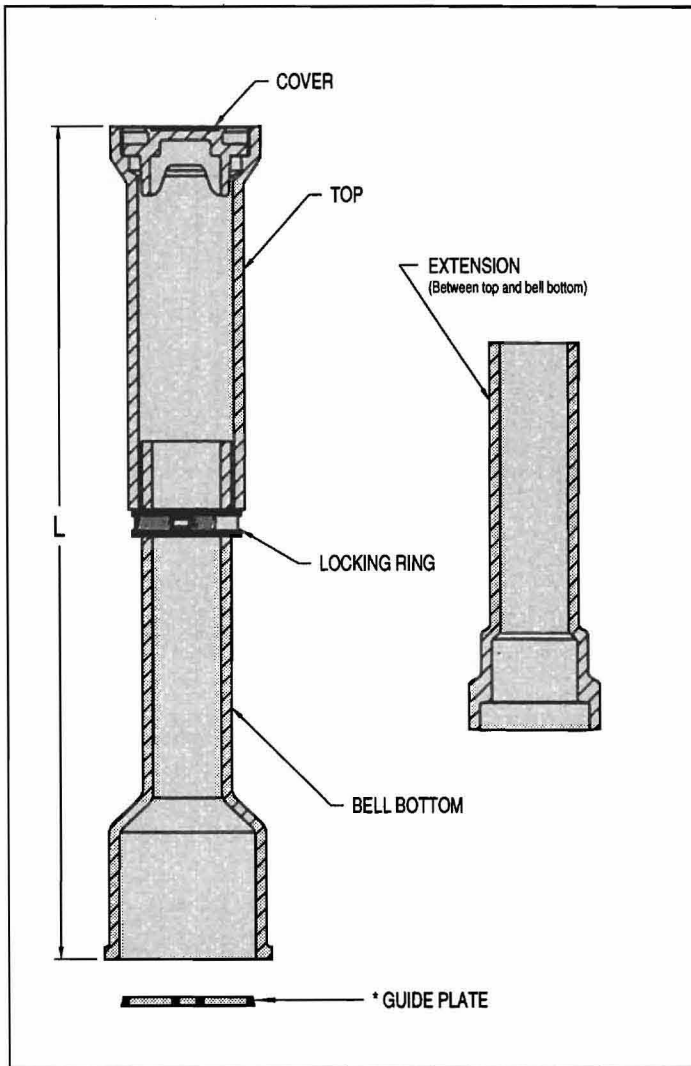


www.bibby-ste-croix.com

RANSOM INDUSTRIES

BIBBY-STE-CROIX

REGULAR STYLE



DEEP STYLE

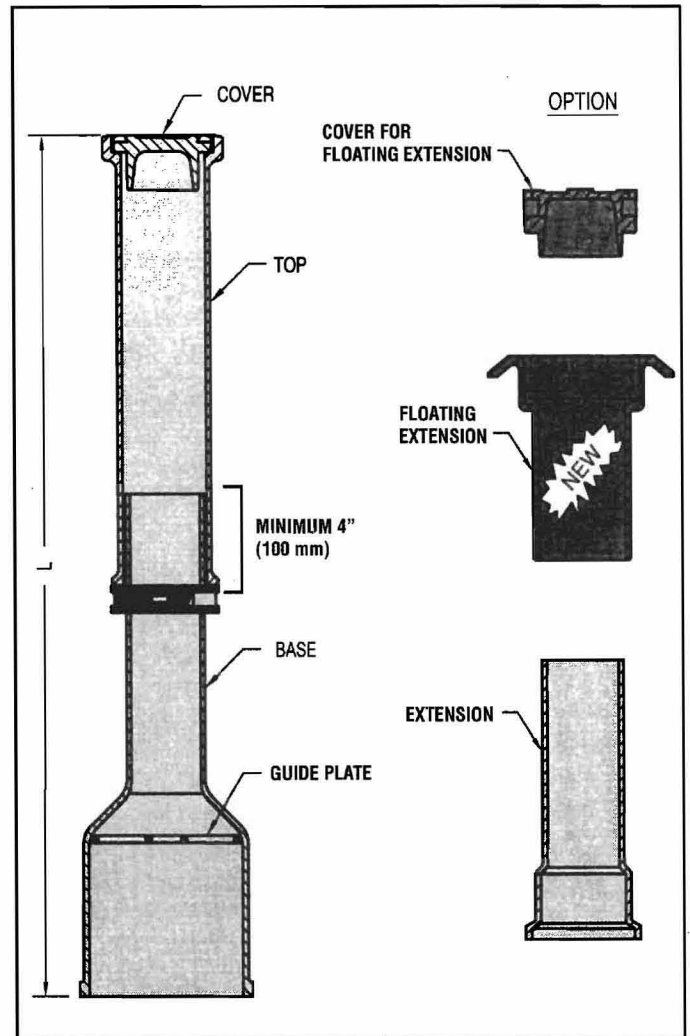


Fig.#	Nominal length (L)	Minimum maximum extension	Weight	Nominal length (L)	Minimum maximum extension	Weight
VB2000	5.0	3.6 - 5.2	126	1.5	1.05 - 1.55	57
VB2100	6.0	4.6 - 6.2	132	1.8	1.35 - 1.85	60
VB2200	7.0	5.6 - 7.2	147	2.1	1.65 - 2.15	67
VB2300	8.0	6.0 - 8.6	181	2.4	1.80 - 2.55	82
VB2400	9.0	6.6 - 9.6	209	2.7	1.95 - 2.85	95
VB2500	10.0	8.6 - 10.6	224	3.0	2.55 - 3.15	102
VB2600	11.0	9.6 - 11.6	252	3.3	2.70 - 3.45	115
VB2700	12.0	10.0 - 12.6	267	3.6	3.00 - 3.75	121
	Feet, inches		lb	M.		kg

Fig.#	Nominal length (L)	Minimum maximum extension	Weight	Nominal length (L)	Minimum maximum extension	Weight
VB2000M	5.0	3.9 - 5.5	151	1.5	1.15 - 1.65	69
VB2100M	6.0	4.9 - 6.5	157	1.8	1.45 - 1.95	71
VB2200M	7.0	5.9 - 7.5	172	2.1	1.75 - 2.25	78
VB2300M	8.0	6.3 - 8.9	207	2.4	1.90 - 2.35	94
VB2400M	9.0	6.9 - 9.9	236	2.7	2.05 - 2.95	107
VB2500M	10.0	8.9 - 10.9	250	3.0	2.35 - 3.30	114
VB2600M	11.0	9.9 - 11.9	279	3.3	2.95 - 3.60	127
VB2700M	12.0	10.3 - 12.9	293	3.6	3.10 - 3.90	133
	Feet, inches		lb	M.		kg

*The guide plate is necessary in order to centre the bell bottom part of the valve box on the valve.

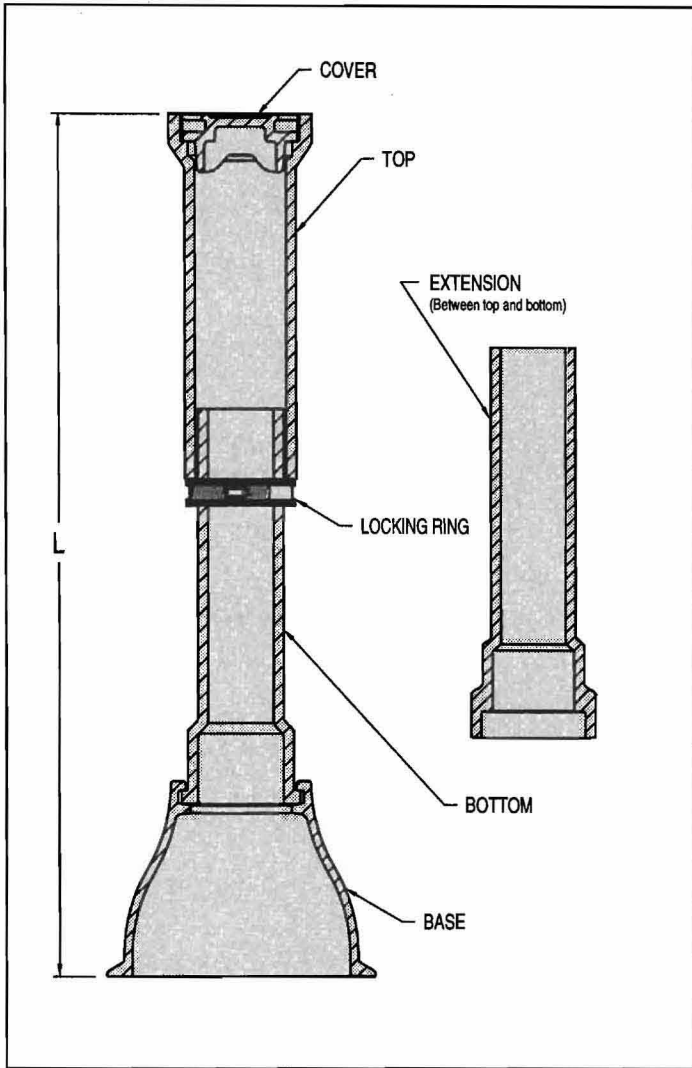


www.bibby-ste-croix.com

RANSOM INDUSTRIES

BIBBY-STE-CROIX

SLIDE STYLE



SCREW STYLE

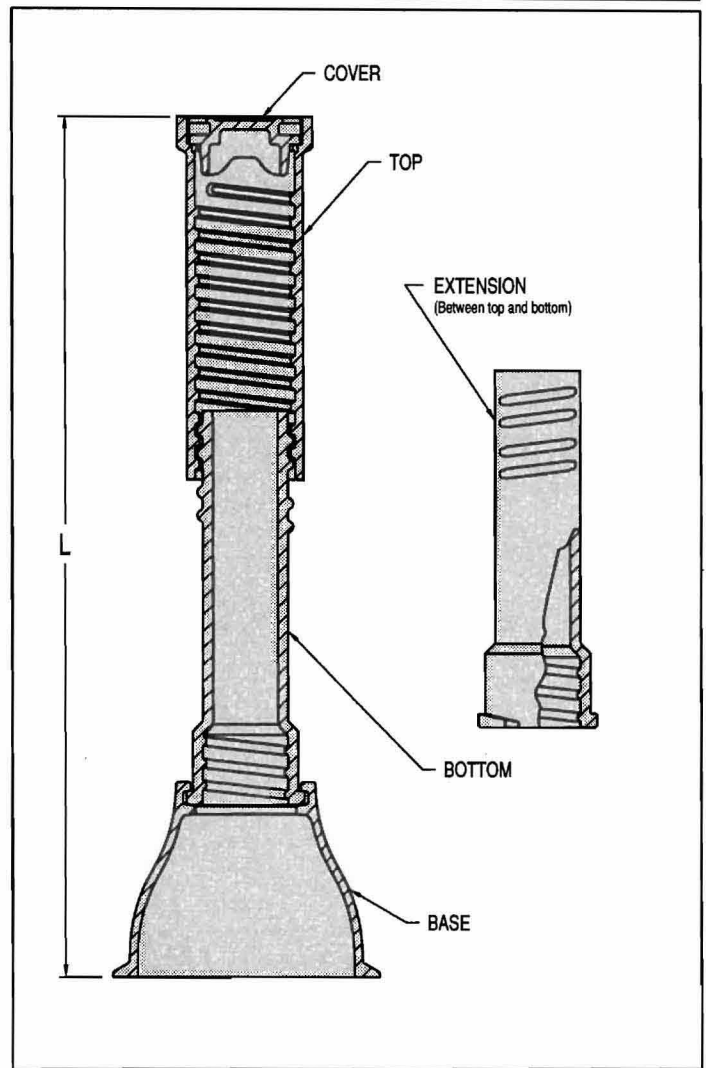


Fig.#	Nominal length (L)	Minimum maximum extension	Weight	Nominal length (L)	Minimum maximum extension	Weight
VB4000	5.0	4.0 - 5.6	127	1.5	1.20 - 1.65	58
VB4100	6.0	4.6 - 6.0	132	1.8	1.35 - 1.85	60
VB4200	7.0	5.6 - 7.6	175	2.1	1.65 - 2.25	80
VB4300	8.0	6.6 - 8.6	203	2.4	1.95 - 2.55	92
VB4400	9.0	7.6 - 9.6	218	2.7	2.25 - 2.85	99
VB4500	10.0	8.6 - 10.6	246	3.0	2.55 - 3.15	112
VB4600	11.0	9.6 - 11.6	261	3.3	2.90 - 3.45	119
VB4700	12.0	10.0 - 12.6	289	3.6	3.15 - 3.75	131
	Feet, inches		lb		M.	kg

Fig.#	Nominal length (L)	Minimum maximum extension	Weight	Nominal length (L)	Minimum maximum extension	Weight
VB3000	5.0	4.0 - 5.0	154	1.5	1.20 - 1.50	70
VB3100	6.0	5.0 - 6.4	160	1.8	1.50 - 1.90	73
VB3200	7.0	6.10 - 7.4	186	2.1	2.10 - 2.25	85
VB3300	8.0	7.0 - 8.0	199	2.4	2.15 - 2.45	90
VB3400	9.0	8.6 - 9.6	238	2.7	2.60 - 2.90	108
VB3500	10.0	9.6 - 10.6	264	3.0	2.90 - 3.20	120
VB3600	11.0	10.6 - 11.6	290	3.3	3.20 - 3.50	132
VB3700	12.0	11.6 - 12.6	316	3.6	3.50 - 3.80	144
	Feet, inches		lb		M.	kg



www.bibby-ste-croix.com

RANSOM INDUSTRIES

BIBBY-STE-CROIX

COMPONENTS	COVER	GUIDE PLATE	TOP	BELL BOTTOM			EXTENSIONS		
CODE	7362	7339	7347	7351	7352	7353	7374	7375	7376
FIG.#	VB825	VB875	VB625	VB525L	VB530L	VB535L	VB725	VB730	VB735
Complete Assemblies	VB2000	1	1	1	1				
	VB2100	1	1	1		1			
	VB2200	1	1	1			1		
	VB2300	1	1	1			1	1	
	VB2400	1	1	1			1	1	
	VB2500	1	1	1			1	1	1
	VB2600	1	1	1			1	1	1
	VB2700	1	1	1			1	1	2

TOP

Code	Fig.#	Weight (lb)	Weight (kg)
7347	VB625	37	17

BELL BOTTOM

Code	Fig.#	L (in.)	Weight (lb)	L (mm)	Weight (kg)
7351	VB525L	36	69	914	31
7352	VB530L	53	75	1346	34
7353	VB535L	61 3/4	90	1568	41

EXTENSION

Code	Fig.#	L (in.)	Weight (lb)	L (mm)	Weight (kg)
7374	VB725	12	28	305	13
7375	VB730	18	34	457	15
7376	VB735	24	43	610	20

COVER

Code	Fig.#	Weight (lb)	Weight (kg)
7362	VB825	17	8

GUIDE PLATE

Code	Fig.#	Weight (lb)	Weight (kg)
7339	VB875	3	1

See page 12 for optional components 5 1/4" - 130 mm

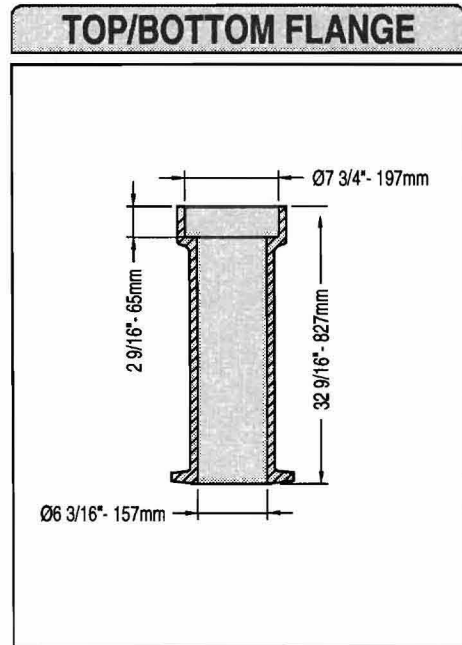
RANSOM INDUSTRIES



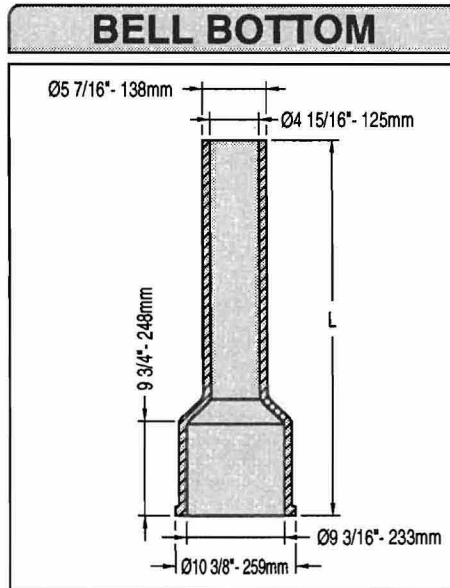
www.bibby-ste-croix.com

BIBBY-STE-CROIX

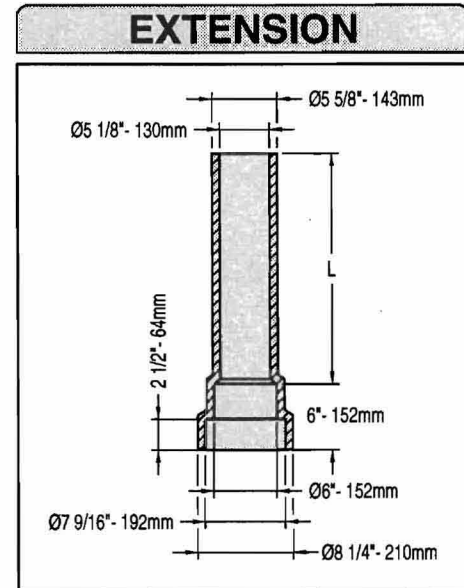
COMPONENTS	COVER	GUIDE PLATE	TOP	BELL BOTTOM			EXTENSIONS			
	CODE	739B	7339	739A	7351	7352	7353	7383	7384	7385
	FIG.#	VB835M	VB875	VB655M	VB525L	VB530L	VB535L	VB725D	VB730D	VB735D
Complete Assemblies	VB2000M	1	1	1	1					
	VB2100M	1	1	1		1				
	VB2200M	1	1	1			1			
	VB2300M	1	1	1			1		1	
	VB2400M	1	1	1			1	1	1	
	VB2500M	1	1	1			1		1	1
	VB2600M	1	1	1			1	1	1	1
	VB2700M	1	1	1			1		1	2



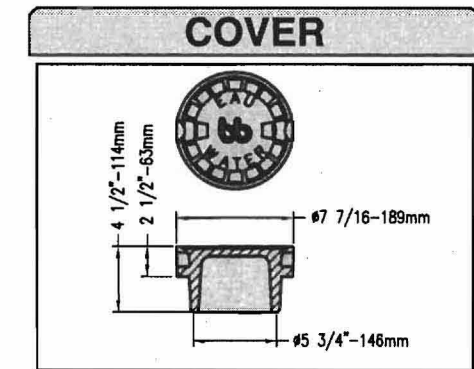
Code	Fig.#	Weight (lb)	Weight (kg)
739A	VB655M	59	27



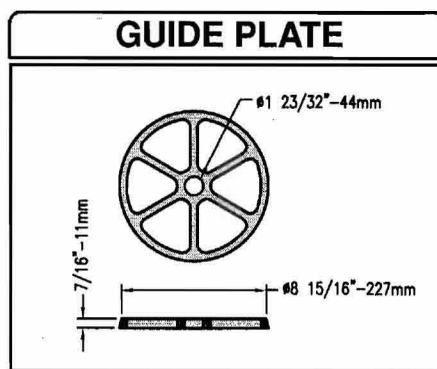
Code	Fig.#	L (in.)	Weight (lb)	L (mm)	Weight (kg)
7351	VB525L	36	69	914	31
7352	VB530L	53	75	1346	34
7353	VB535L	61 3/4	90	1568	41



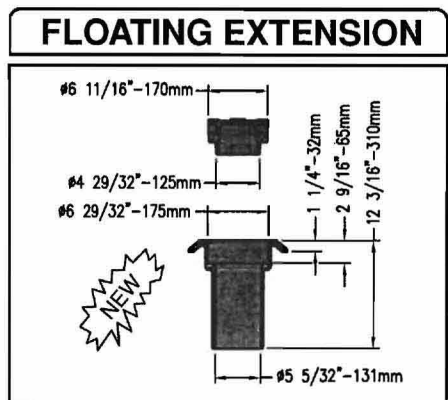
Code	Fig.#	L (in.)	Weight (lb)	L (mm)	Weight (kg)
7383	VB725D	12	29	305	13
7384	VB730D	18	35	457	16
7385	VB735D	24	43	610	20



Code	Fig.#	Weight (lb)	Weight (kg)
739B	VB835M	20	9



Code	Fig.#	Weight (lb)	Weight (kg)
7339	VB875	3	1



Code	DESCRIPTION	Weight (lb)	Weight (kg)
738B	FLOATING EXTENSION	28	12.7
738C	COVER	15.3	7

See page 12 for optional components 5 1/4" - 130 mm.

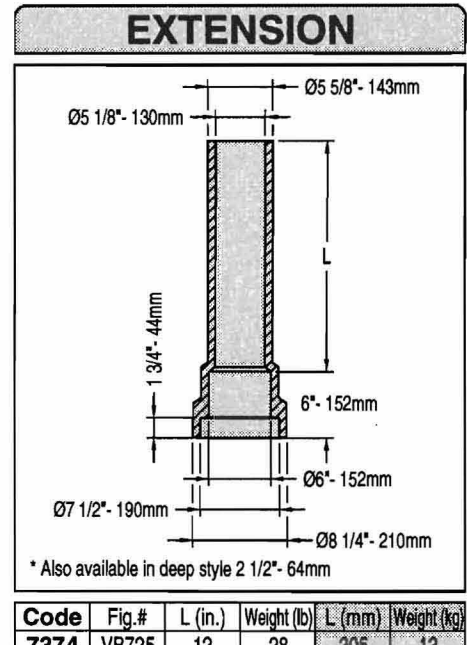
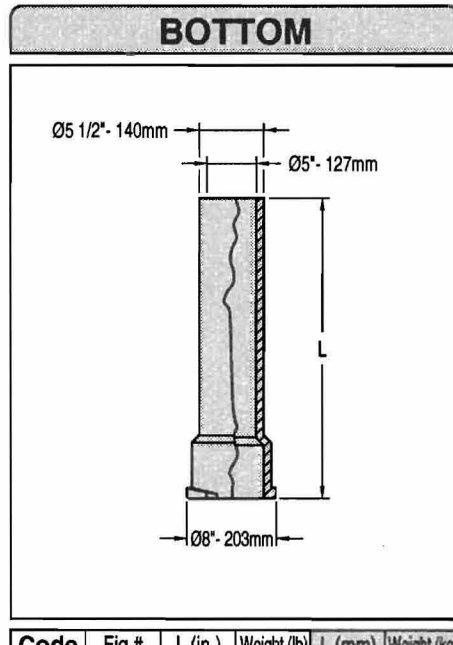
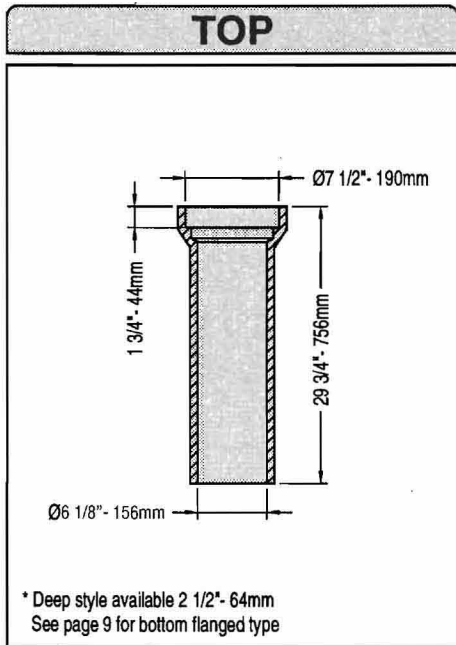


www.bibby-ste-croix.com

RANSOM INDUSTRIES

BIBBY-STE-CROIX

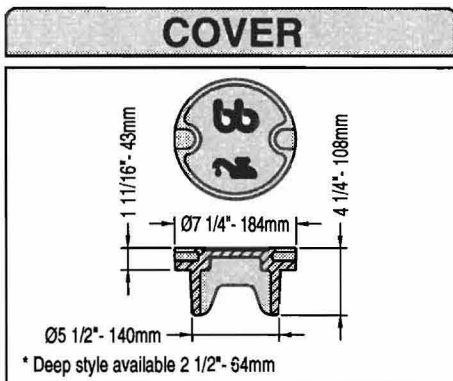
COMPONENTS	COVER	BASE	TOP	BOTTOM		EXTENSIONS			
	CODE	7362	7341	7347	7386	7387	7374	7375	7376
	FIG.#	VB825	VB900	VB625	VB575	VB580	VB725	VB730	VB735
Complete Assemblies	VB4000	1	1	1	1				
	VB4100	1	1	1		1			
	VB4200	1	1	1		1			1
	VB4300	1	1	1		1	1		1
	VB4400	1	1	1		1			2
	VB4500	1	1	1		1	1		2
	VB4600	1	1	1		1			3
	VB4700	1	1	1		1	1		3



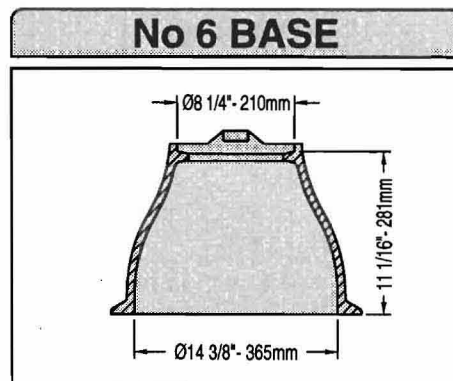
Code	Fig.#	L (in.)	Weight (lb)	L (mm)	Weight (kg)
7386	VB575	30	30	762	14
7387	VB580	35 1/2	35	902	16

Code	Fig.#	L (in.)	Weight (lb)	L (mm)	Weight (kg)
7374	VB725	12	28	305	13
7375	VB730	18	34	457	16
7376	VB735	24	43	610	20

Code	Fig.#	Weight (lb)	Weight (kg)
7347	VB625	37	17



Code	Fig.#	Weight (lb)	Weight (kg)
7362	VB825	17	8



Code	Fig.#	Weight (lb)	Weight (kg)
7341	VB900	43	20

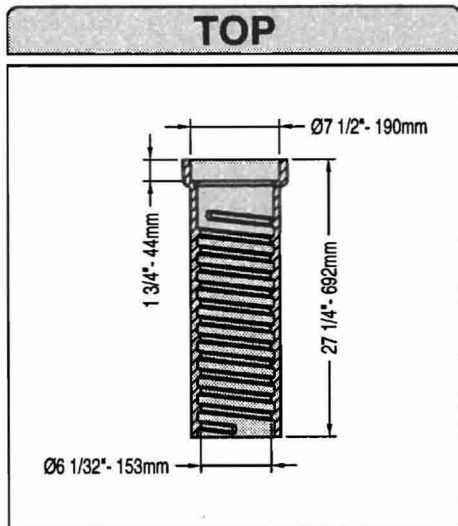
See page 12 for optional components 5 1/4" - 130 mm

RANSOM INDUSTRIES

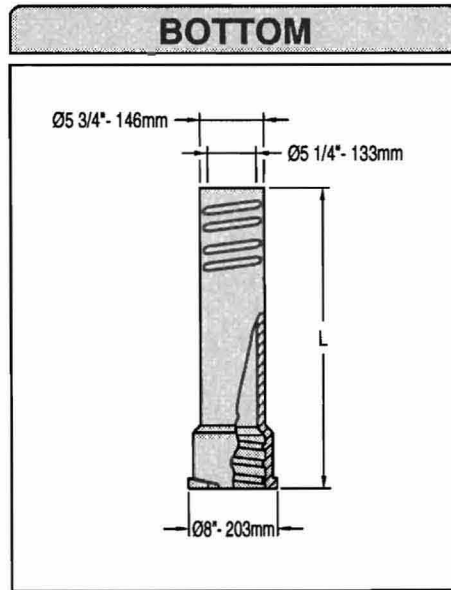


www.bibby-ste-croix.com

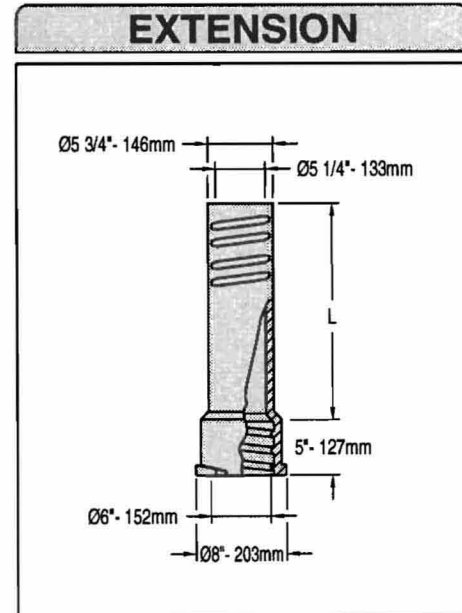
	COMPONENTS	COVER	BASE	TOP	BOTTOM		EXTENSIONS	
	CODE	7362	7341	7340	V816	V817	7344	7345
	FIG.#	VB825	VB900	VB650	VB550	VB555	VB750	VB755
Complete Assemblies	VB3000	1	1	1	1			
	VB3100	1	1	1		1		
	VB3200	1	1	1		1	1	
	VB3300	1	1	1		1		1
	VB3400	1	1	1		1		2
	VB3500	1	1	1		1	1	2
	VB3600	1	1	1		1	2	2
	VB3700	1	1	1		1	3	2



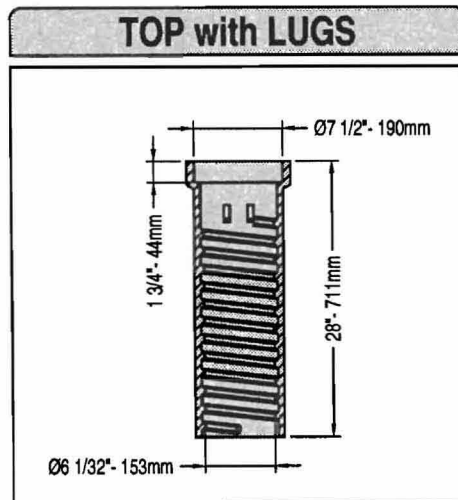
Code	Fig.#	Weight (lb)	Weight (kg)
7340	VB650	58	26



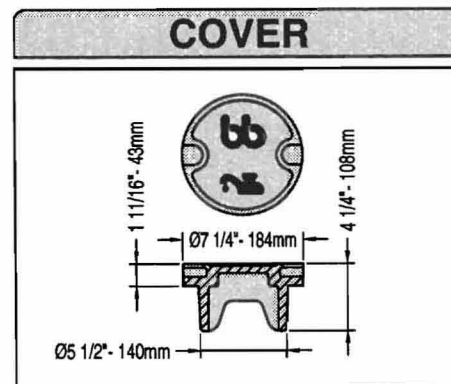
Code	Fig.#	L (in.)	Weight (lb)	L (mm)	Weight (kg)
V816	VB550	29 5/8	36	752	16
V817	VB555	34	42	864	19
V818	-	40	45	1016	20



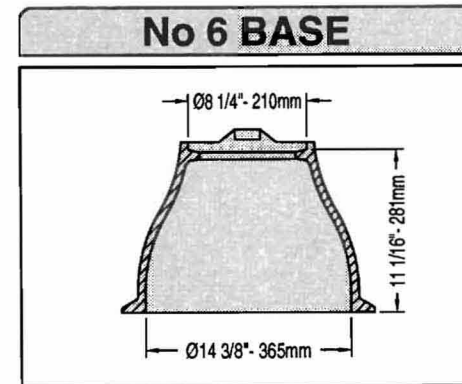
Code	Fig.#	L (in.)	Weight (lb)	L (mm)	Weight (kg)
7344	VB750	14	26	356	12
7345	VB755	18	39	457	18



Code	Fig.#	Weight (lb)	Weight (kg)
7342	VB650L	59	27



Code	Fig.#	Weight (lb)	Weight (kg)
7362	VB825	17	8



Code	Fig.#	Weight (lb)	Weight (kg)
7341	VB900	43	20

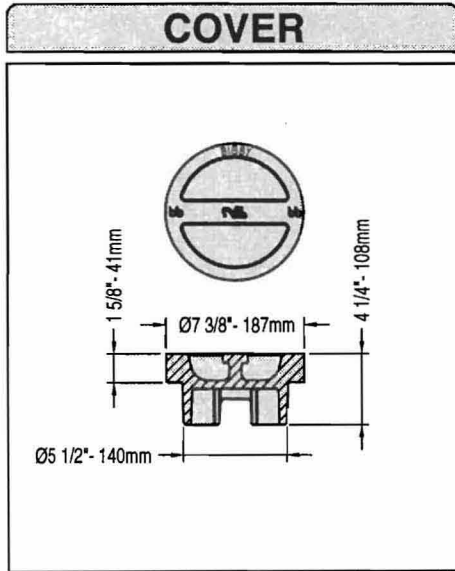


www.bibby-ste-croix.com

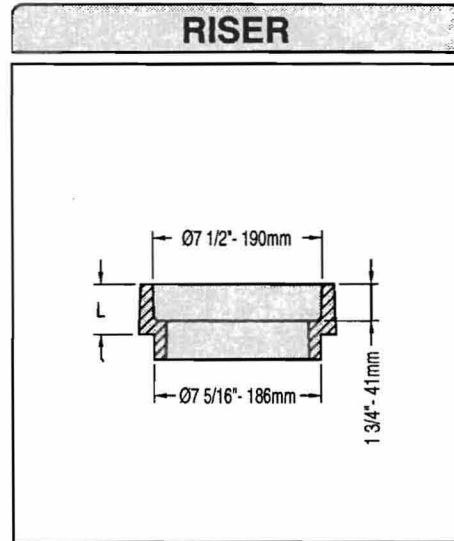
See page 12 for optional components 5 1/4" - 130 mm.

RANSOM INDUSTRIES

BIBBY-STE-CROIX

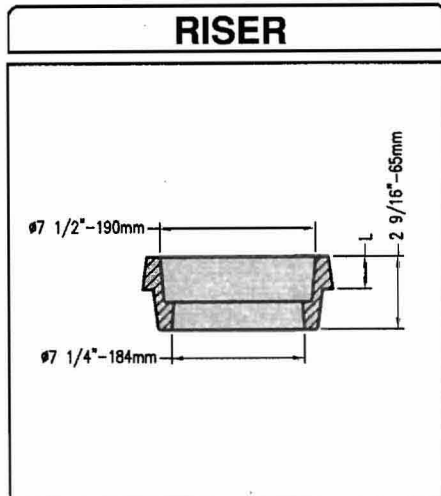


Code	Fig.#	Weight (lb)	Weight (kg)
7360	VB826	15	7

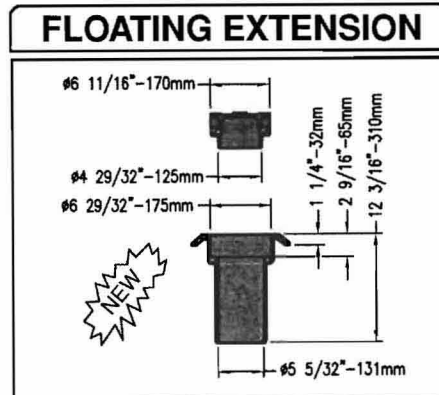


Code	Fig.#	L (in.)	Weight (lb)	L (mm)	Weight (kg)
7367	VB741	2	8	51	4
7368	VB742	3	14	76	6

DEEP STYLE 5 1/4"- 130mm SLIDE VALVE BOXES - OPTIONAL COMPONENTS



Code	Fig.#	L (In.)	Weight (lb)	L (mm)	Weight (kg)
739C	VB743M	1 1/2	10	38	5
739D	VB744M	2	13	51	6
739E	VB745M	3	21	76	10



Code	DESCRIPTION	Weight (lb)	Weight (kg)
738B	FLOATING EXTENSION	28	12.7
738C	COVER	15.3	7

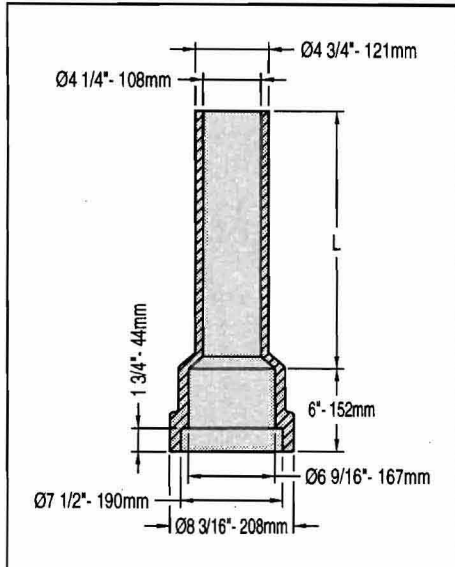


www.bibby-ste-croix.com

RANSOM INDUSTRIES

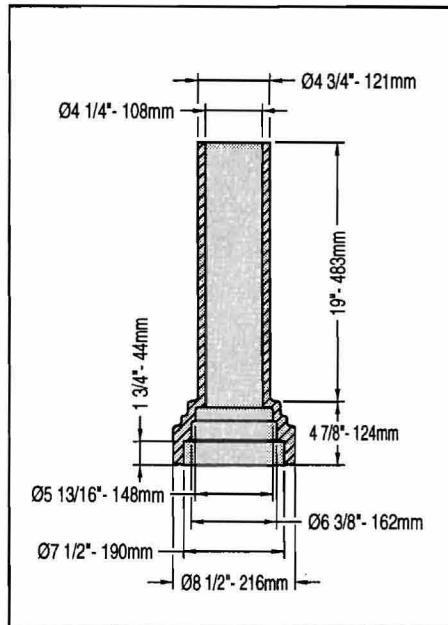
BIBBY-STE-CROIX

**4 1/4" x 5 1/4" - 105mm x 130mm
EXTENSION**



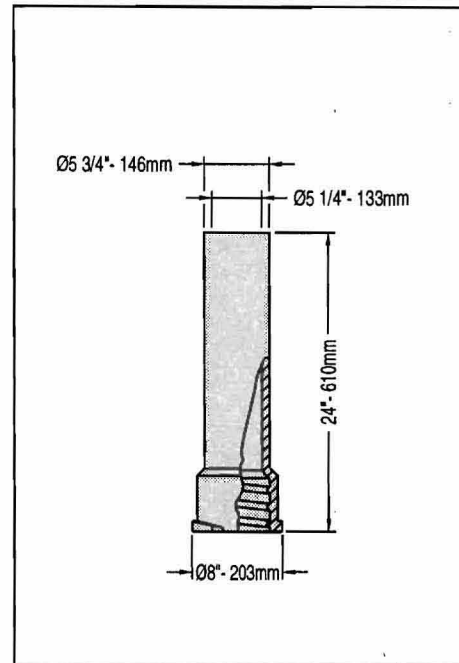
Code	Fig.#	L (in.)	Weight (lb)	L (mm)	Weight (kg)
7388	VB715	12	20	305	9
7389	VB716	18	24	457	11
738A	VB717	24 1/2	30	622	14

**4 1/4" x 5 1/4" - 105mm x 130mm
UNIVERSAL EXTENSION**



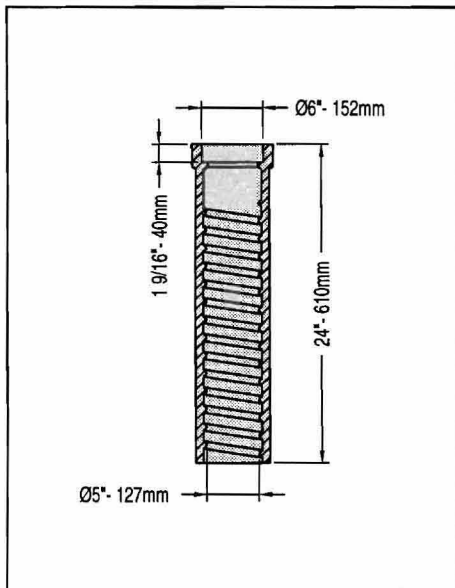
Code	Fig.#	Weight (lb)	Weight (kg)
7390	VB718	35	16

ADAPTOR



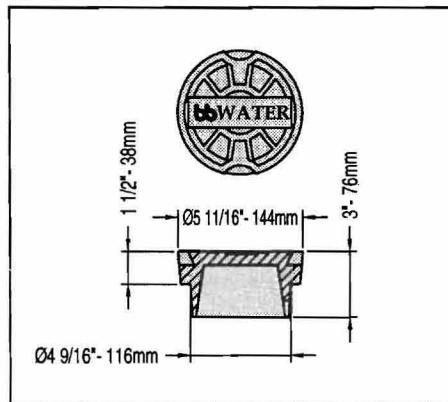
Code	Fig.#	Weight (lb)	Weight (kg)
7357	VB560	31	14

4 1/4" SLIDE/SCREW TOP



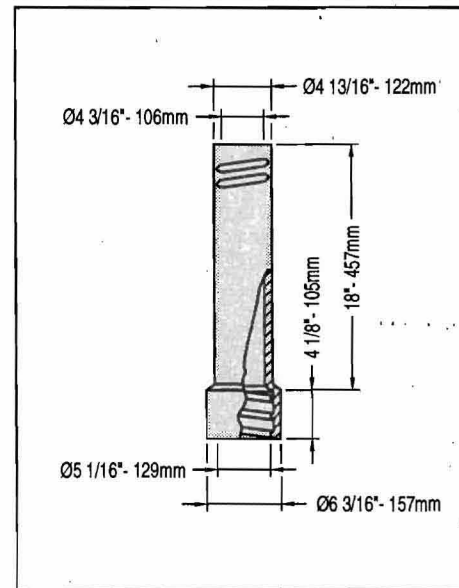
Code	Fig.#	Weight (lb)	Weight (kg)
V468	RB519	32	15

4 1/4" COVER



Code	Fig.#	Weight (lb)	Weight (kg)
V502	RB645	8	4

4 1/4" SCREW EXTENSION



Code	Fig.#	Weight (lb)	Weight (kg)
V497	RB649	27	12

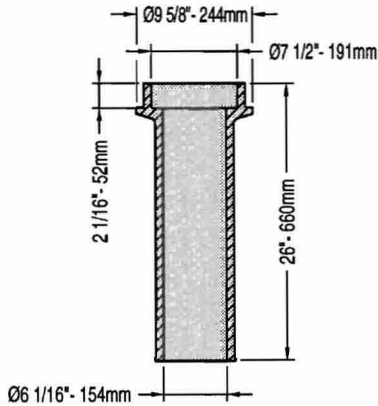


www.bibby-ste-croix.com

RANSOM INDUSTRIES

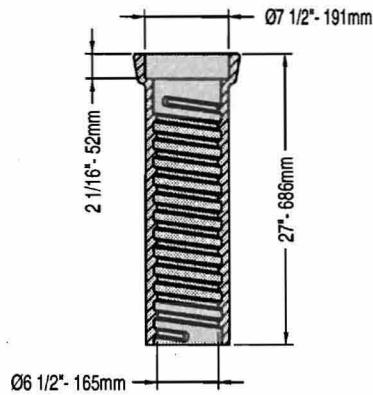
BIBBY-STE-CROIX

5 1/4" SLIDE TOP/TOP FLANGE



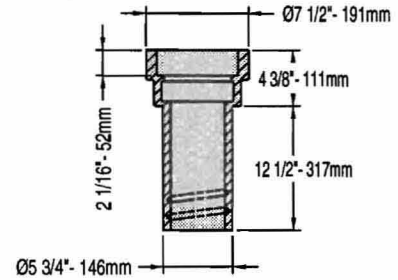
Code	Fig.#	Weight (lb)	Weight (kg)
V747	F-2	38	17

5 1/4" SCREW TOP



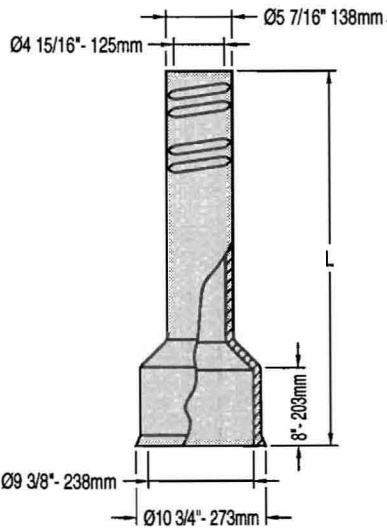
Code	Fig.#	Weight (lb)	Weight (kg)
V735	VB602	51	23

5 1/4" ADJUSTABLE SCREW RISER



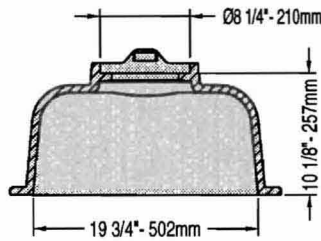
Code	Fig.#	Weight (lb)	Weight (kg)
V852	-	26	12

5 1/4" SCREW BELL BOTTOM



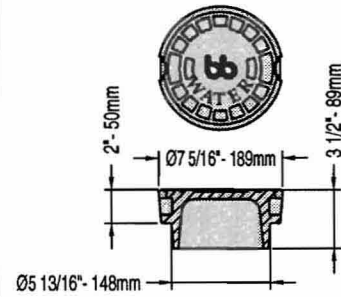
Code	Fig.#	L (in.)	Weight (lb)	L (mm)	Weight (kg)
V769	-	16	35	406	16
V770	-	24	39	610	18
V771	-	30	44	762	20
V772	-	36	54	914	25

5 1/4" #160 OVAL BASE



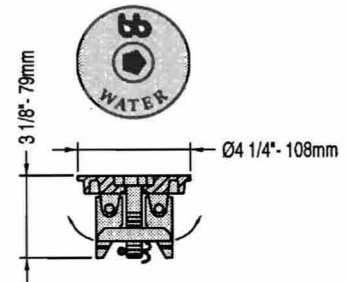
Code	Fig.#	Weight (lb)	Weight (kg)
V870	#160	54	25

5 1/4" COVER



Code	Fig.#	Weight (lb)	Weight (kg)
V878	5160	13	6

2 1/2" NEW STYLE REPAIR LID



Code	Fig.#	Weight (lb)	Weight (kg)
S282	B2180	2	0.9

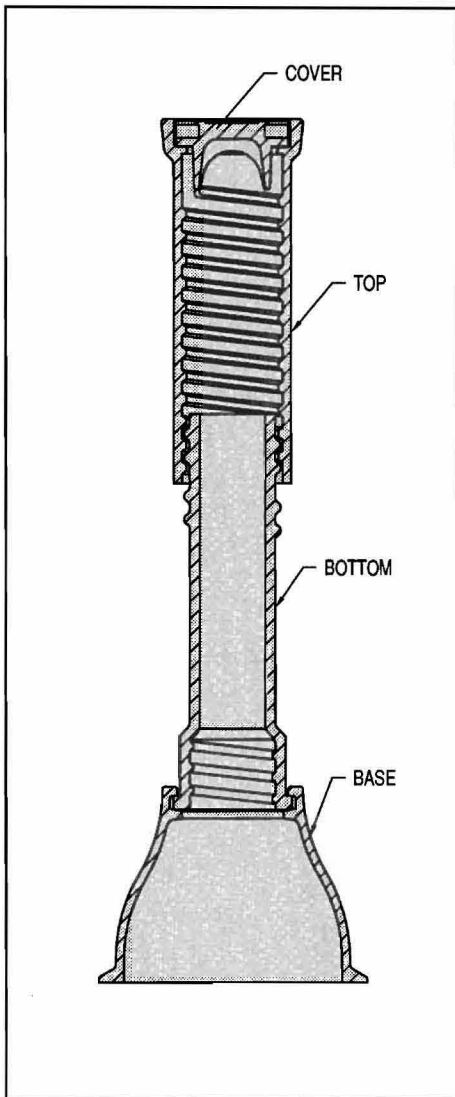


www.bibby-ste-croix.com

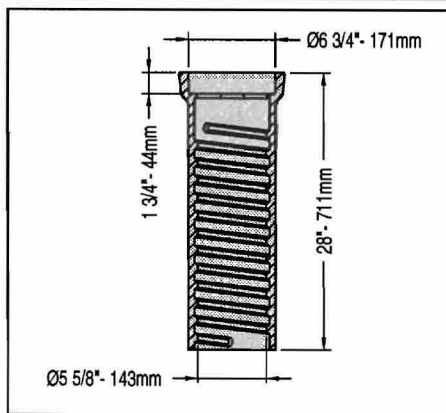
RANSOM INDUSTRIES

BIBBY-STE-CROIX

OTTAWA ASSEMBLY

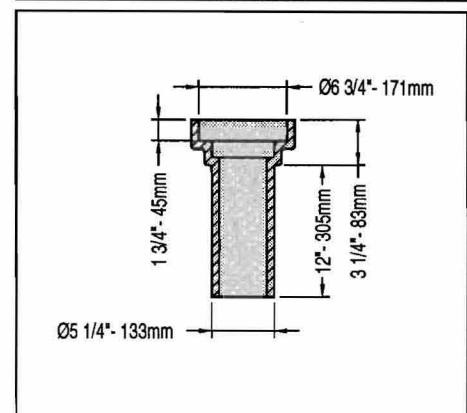


TOP



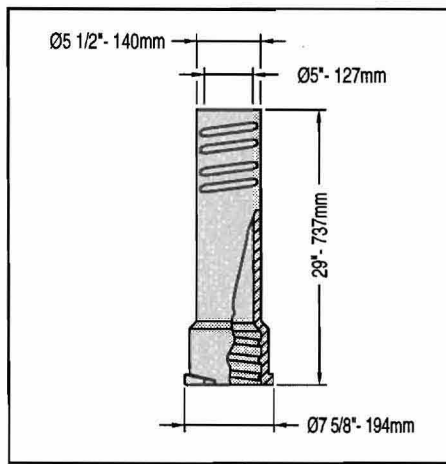
Code	Fig.#	Weight (lb)	Weight (kg)
736B	VB675	57	26

RISER



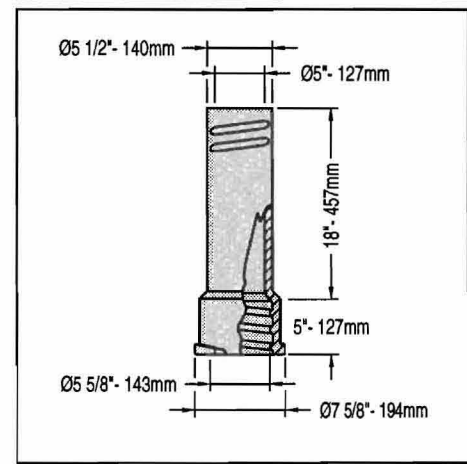
Code	Fig.#	Weight (lb)	Weight (kg)
736C	VB740	20	9

BOTTOM



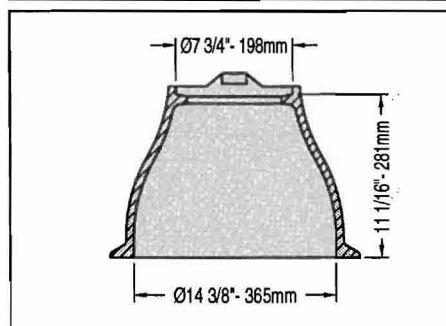
Code	Fig.#	Weight (lb)	Weight (kg)
736A	VB590	37	17

EXTENSION



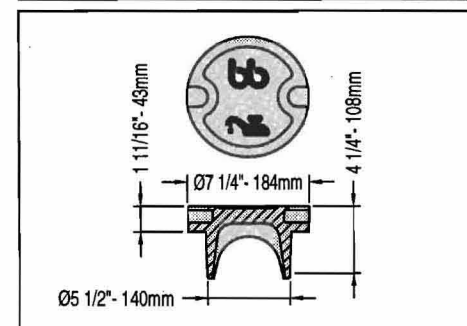
Code	Fig.#	Weight (lb)	Weight (kg)
736F	VB592	33	15

BASE OTTAWA



Code	Fig.#	Weight (lb)	Weight (kg)
736D	VB901	42	19

COVER



Code	Fig.#	Weight (lb)	Weight (kg)
736E	VB830	17	8

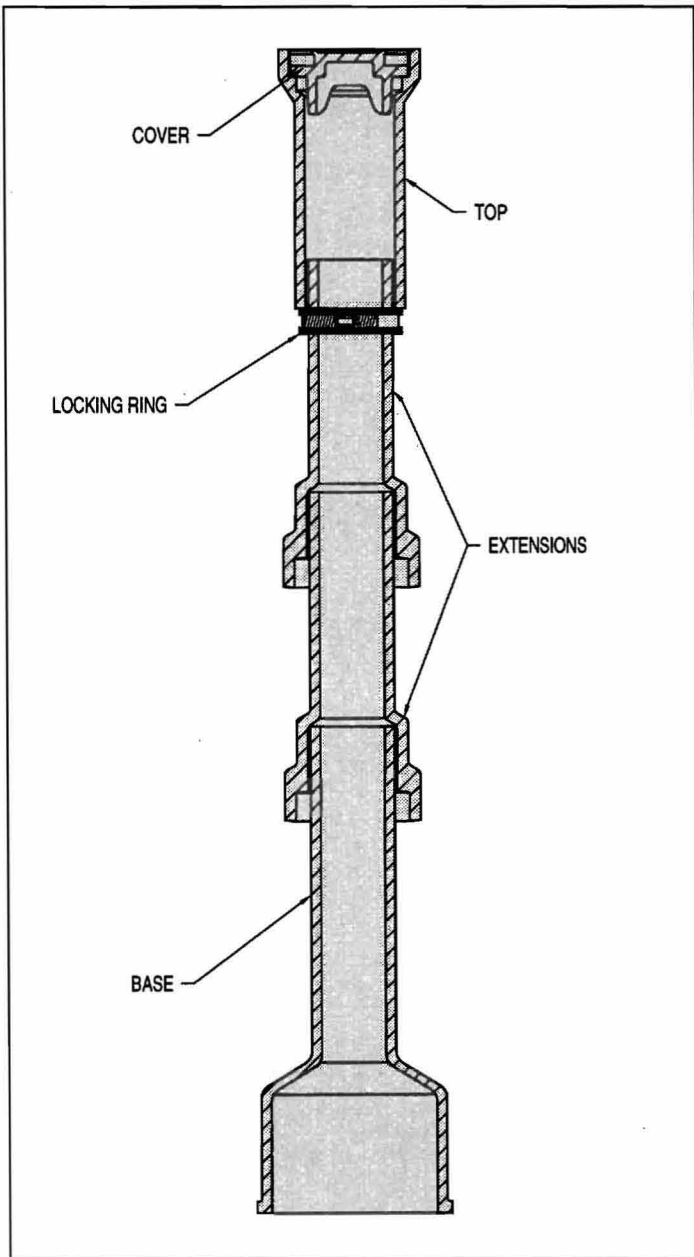


www.bibby-ste-croix.com

RANSOM INDUSTRIES

BIBBY-STE-CROIX

CENTRE EXTENSIONS ASSEMBLY



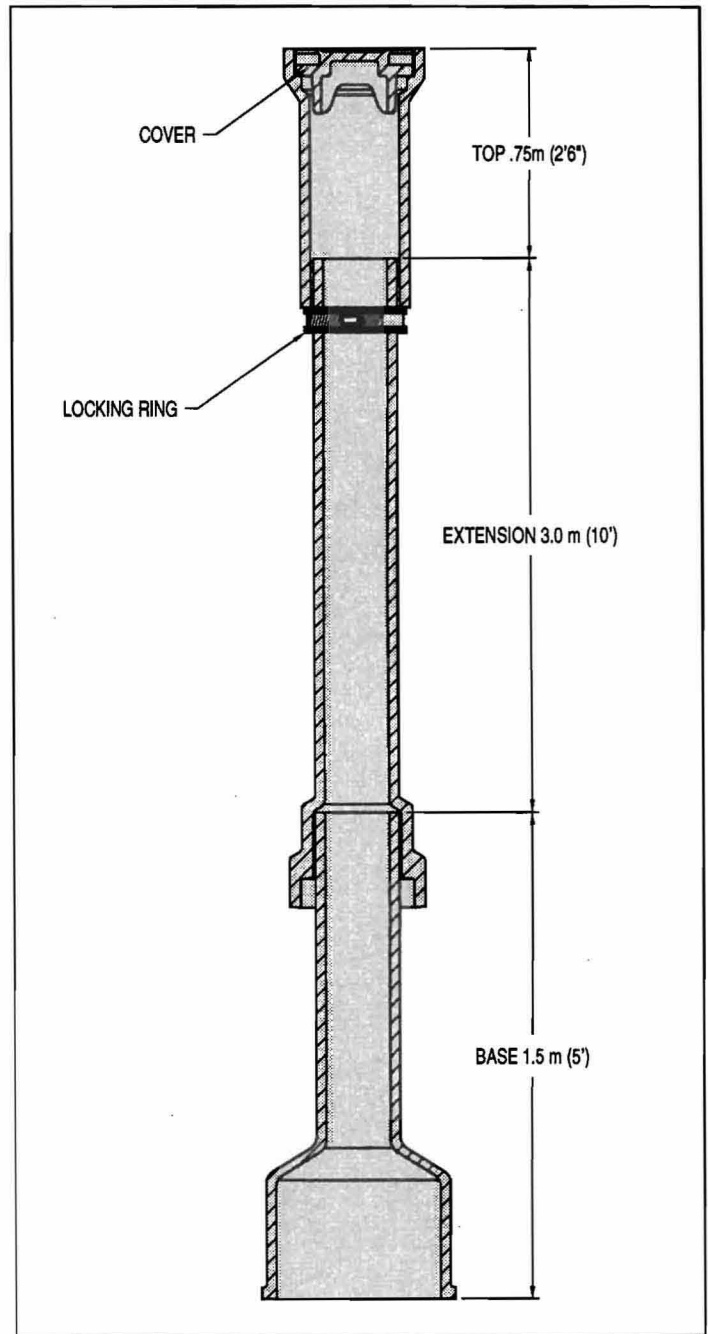
Extensions can be used as top extensions (pictured in the main catalogue) or as centre extensions shown here.

There are certain advantages with the centre extension idea:

- 1) Water cannot seep into valve box.
- 2) Extensions can be stacked and do not have to be held in place while back-filling.

The ordering system is not affected by the use of centre extensions as the same components are used to achieve the desired assembly length.

DEEP BURY VALVE BOX



INSTRUCTIONS:

- 1) Illustration shows a nominal bury 5.25m (17') de tranchée.
- 2) By using a 1.5m (5'), pipe nominal bury is 3.75m (12').
- 3) By cutting the pipe, bury may be varied.
e.g. 2.25m (8') = 4.5m (15') nominal bury.



www.bibby-ste-croix.com

RANSOM INDUSTRIES

BIBBY-STE-CROIX