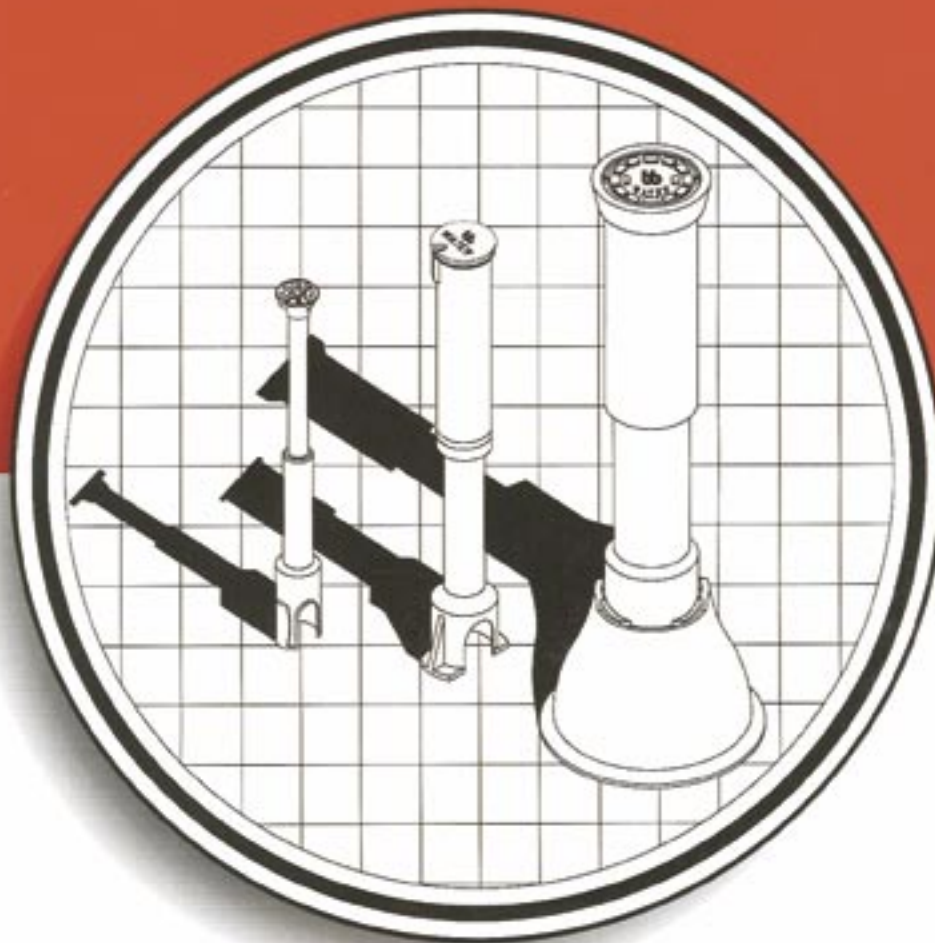


SERVICE • ROADWAY • VALVE BOXES

HIGH QUALITY CAST IRON CASTINGS



Catalog VBUS.97-07

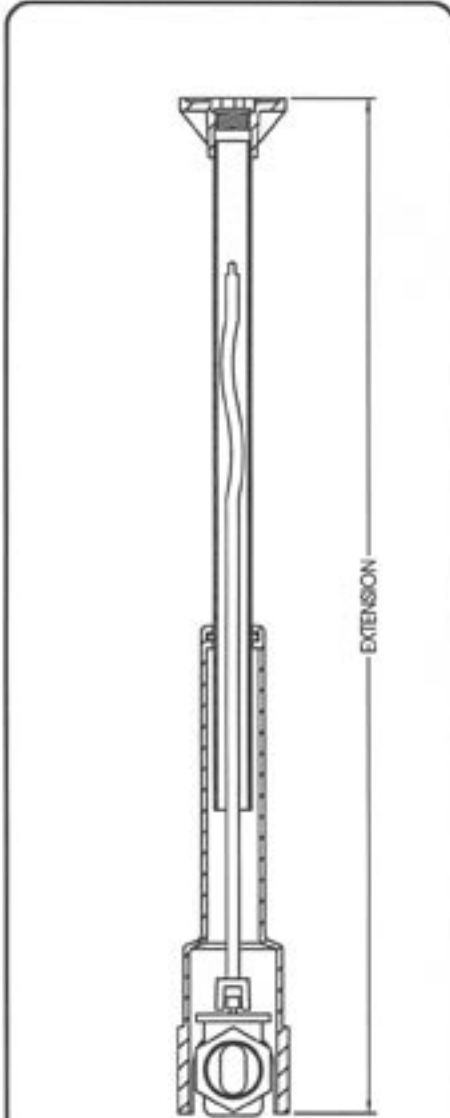


BIBBY-STE-CROIX USA

Division of McWane Inc.

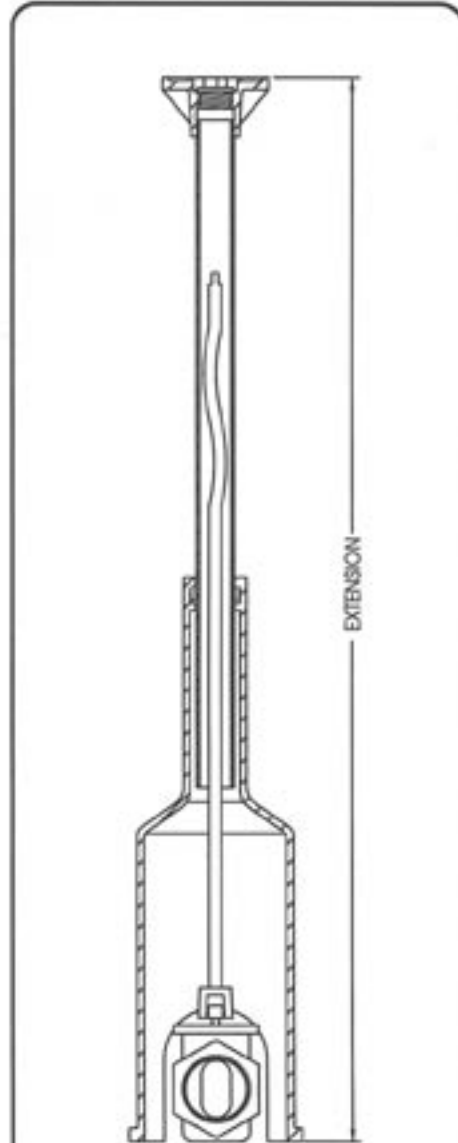
SERVICE, ROADWAY AND VALVE BOXES	PAGE
ERIE (ARCH) AND MINNEAPOLIS PATTERN SERVICE BOXES _____	3
2 1/2" SERVICE BOX _____	7
3" SERVICE BOX _____	11
4 1/4" ROADWAY BOX _____	13
5 1/4" VALVE BOX _____	17
7" VALVE BOX _____	23

SMALL SERVICE



*CURB STOP & ROD NOT INCLUDED
 **SUPPLIED WITH No.1 BASE & 1" UPPER

LARGE SERVICE



*CURB STOP & ROD NOT INCLUDED
 **SUPPLIED WITH No.2 BASE & 1" UPPER

SERVICE BOX COMPLETE

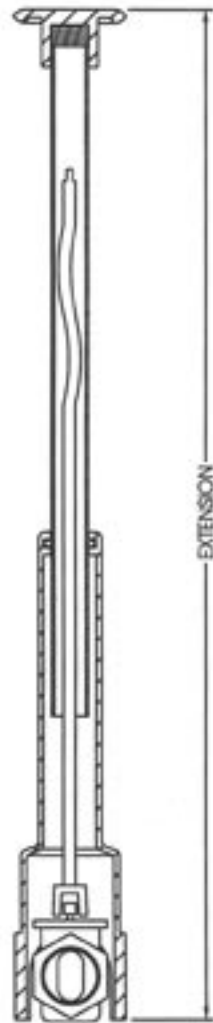
CODE	EXTENSION (ft.)	Weight (lb)	FIG #
U150	4.0'-5.0'	15	VSB1-5.0
U165	4.5'-5.5'	16	VSB1-5.5
U160	5.0'-6.0'	17	VSB1-6.0

SERVICE BOX COMPLETE

CODE	EXTENSION (ft.)	Weight (lb)	FIG #
U250	4.0'-5.0'	25	VSB2-5.0
U265	4.5'-5.5'	26	VSB2-5.5
U260	5.0'-6.0'	27	VSB2-6.0

TWO HOLES LID STYLE SERVICE BOX

SMALL SERVICE

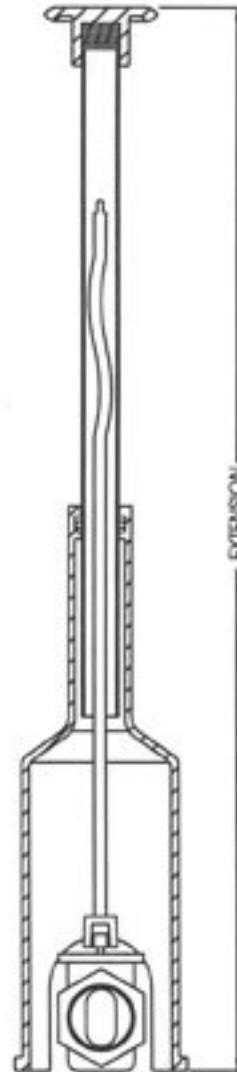


*CURB STOP & ROD NOT INCLUDED
 **SUPPLIED WITH No.1 BASE & 1" UPPER

SERVICE BOX COMPLETE

CODE	EXTENSION (ft)	Weight (lb)	FIG #
R150	4.0'-5.0'	15	NYS81-5.0
R155	4.5'-5.5'	16	NYS81-5.5
R160	5.0'-6.0'	17	NYS81-6.0

LARGE SERVICE



*CURB STOP & ROD NOT INCLUDED
 **SUPPLIED WITH No.2 BASE & 1" UPPER

SERVICE BOX COMPLETE

CODE	EXTENSION (ft)	Weight (lb)	FIG #
R250	4.0'-5.0'	25	NYS82-5.0
R255	4.5'-5.5'	26	NYS82-5.5
R260	5.0'-6.0'	27	NYS82-6.0

BIBBY

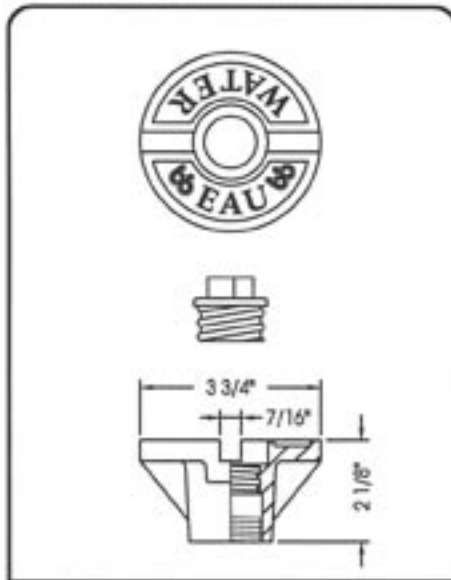


STE-CROIX

U S A

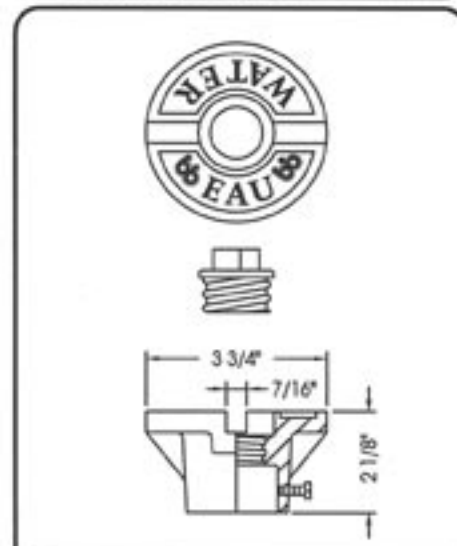
Division of McWane Inc.

PLUG CAP 1" & 1 1/4"



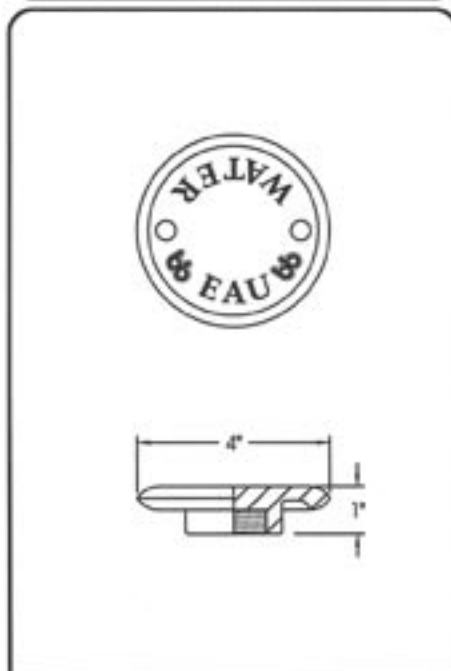
CODE	CAP
UA03	1"
UA04	1 1/4"

REPAIR LID WITH SET SCREW 1" & 1 1/4"



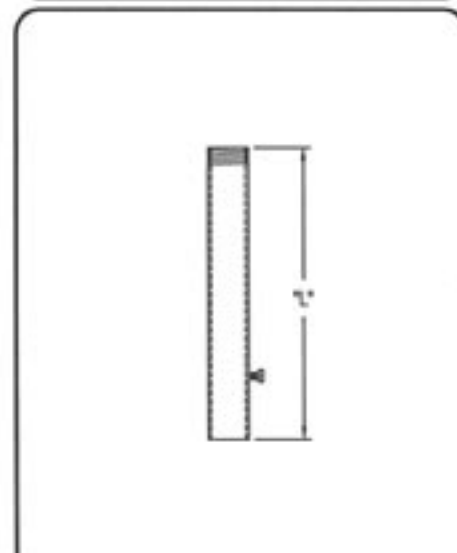
CODE	CAP
UA05	1"
UA06	1 1/4"
UA00	BRASS BOLT ONLY

TWO HOLE LID



CODE	UA01

SET SCREW EXTENSION

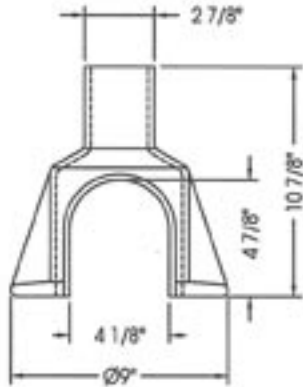


*STEEL PIPE
** 1 1/4" THREAD

CODE	SIZE ("L")
UE03	3"
UE06	6"
UE12	12"

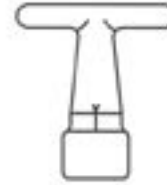
SERVICE BOX ACCESSORIES

ENLARGED BASE



CODE	Weight (Lb)
V313	9

KEY FOR PENTAGON HEAD BOLT



CODE	Weight (Lb)
V314	0.8

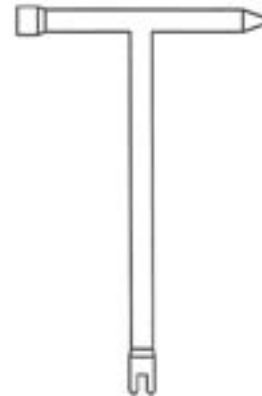
STEEL ROD



STANDARD 5/8" STEEL ROD

CODE	EXTENSION (IN)	Weight (Lb)	FIG #
UB30	30"	2.8	SBRSTD-30
UB36	36"	3.3	SBRSTD-36
UB42	42"	3.8	SBRSTD-42

SERVICE BOX KEY



*SPECIFY LENGTH REQUIRED

CODE	V311

BIBBY

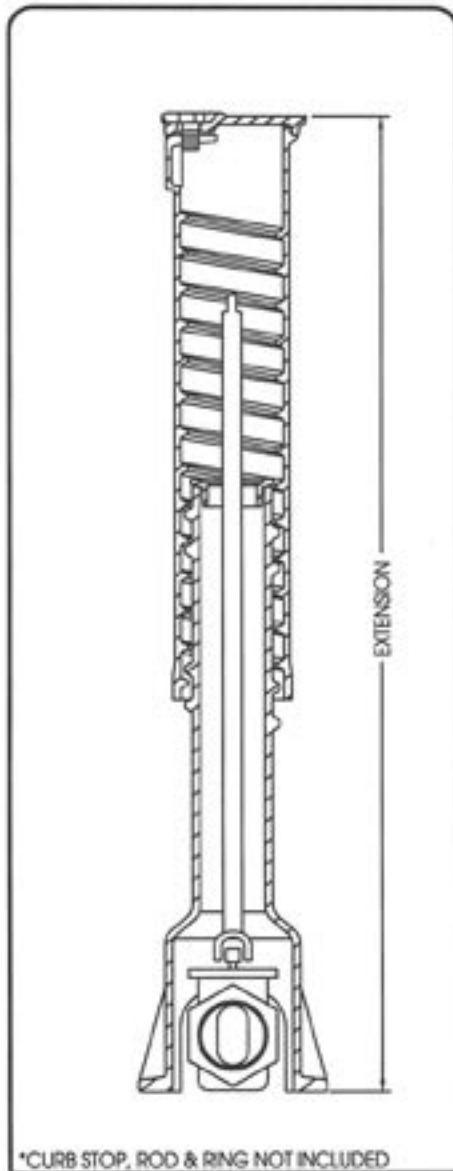


STE-CROIX

U S A

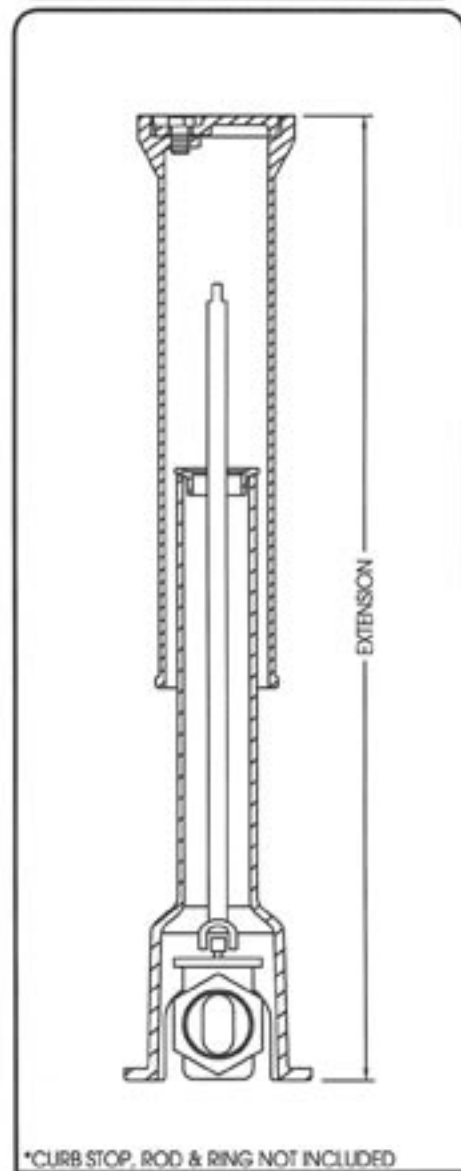
Division of McWane Inc.

SCREW STYLE



*CURB STOP, ROD & RING NOT INCLUDED

H.D. SLIDE STYLE



*CURB STOP, ROD & RING NOT INCLUDED

SERVICE BOX COMPLETE

CODE	EXTENSION (IN)	Weight (lb)	FIG #
V005	24-39	28	92D
V006	34-49	33	93D
V007	34-53	38	93E
V008	41-60	40	94E
V009	41-66	42	95E
V010	64-76	51	100E
V011	70-82	53	100F

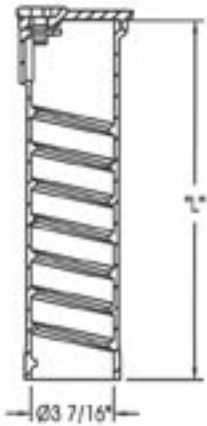
1 NOTE: EXTENSIONS SUPPLIED TO MAKE THESE BOXES.
NOTE: "WATER" COVER SHIPPED UNLESS OTHER SPECIFIED.

SERVICE BOX COMPLETE

CODE	EXTENSION (IN)	Weight (lb)	FIG #
V038	26-39	26	92D
V039	36-48	31	93D
V040	36-54	34	93E
V041	42-60	37	94E
V042	48-66	39	95E
V043	50-78	42	100E
V044	60-80	46	100F

NOTE: "WATER" COVER SHIPPED UNLESS OTHER SPECIFIED.

SCREW TOP



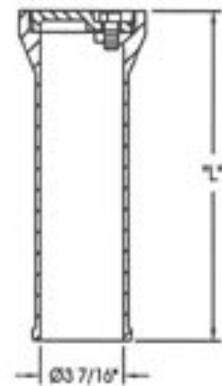
CODE	L (IN.)	Weight (Lb)
S168	20	15
S169	24	18
S172	30	20

H.D. SCREW TOP



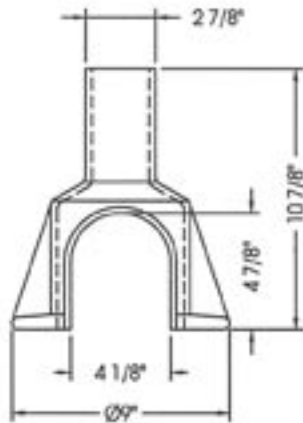
CODE	Weight (Lb)
S171	21

H.D. SLIDE TOP



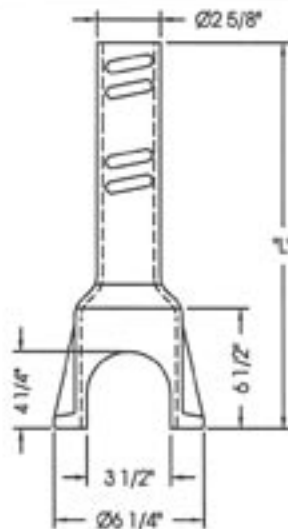
CODE	L (IN.)	Weight (Lb)
S201	24	18

ENLARGED BASE



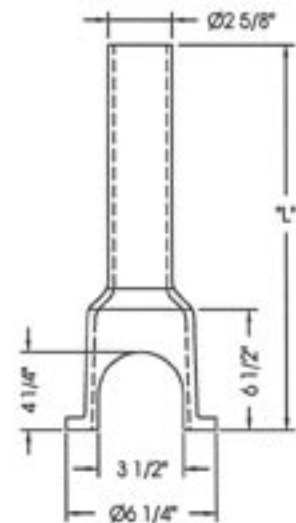
CODE	Weight (Lb)
V313	9

SCREW BOTTOM



CODE	L (IN.)	Weight (Lb)
V199	23	13
V200	33	18
V201	40	22

SLIDE BOTTOM



CODE	L (IN.)	Weight (Lb)
V207	23	12
V209	33	16
V210	40	19
V213	47	21
V216	50	24
V217	60	28

BIBBY  **STE-CROIX**
U S A

Division of McWane Inc.

WATER COVER



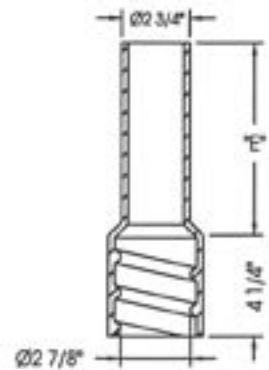
CODE	Weight (Lb)	MODEL
V240	2	WATER
V241	2	GAS
V242	2	SEWER

H.D. WATER COVER



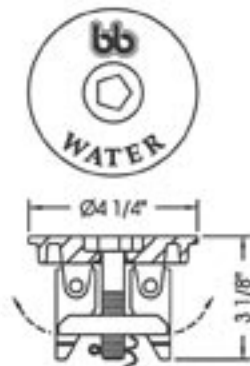
CODE	Weight (Lb)
V243	2

SLIDE EXTENSION



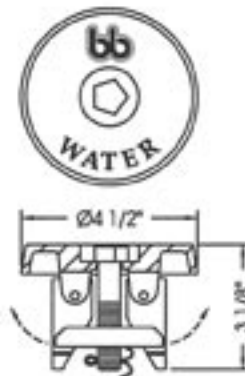
CODE	E (IN.)	Weight (Lb)
V225	9	9
V228	16	11

NEW STYLE REPAIR LID



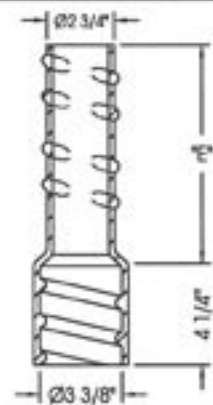
CODE	Weight (Lb)
S282	2

OLD STYLE REPAIR LID



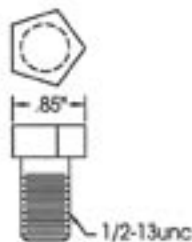
CODE	Weight (Lb)
S285	2

SCREW EXTENSION



CODE	E (IN.)	Weight (Lb)
V222	9	9
V223	16	11

BRASS BOLT



CODE	Weight (Lb)
V312	0.2

RODS AND RINGS

CODE	FIG #	L (IN.)	Weight (Lb)
S321	93D	31	2
S321	93E	31	3
S323	94E	38	3
S330	95E	48	4
S329	100F	58	4
V338	RING ONLY		0.5

KEY FOR PENTAGON HEAD BOLT



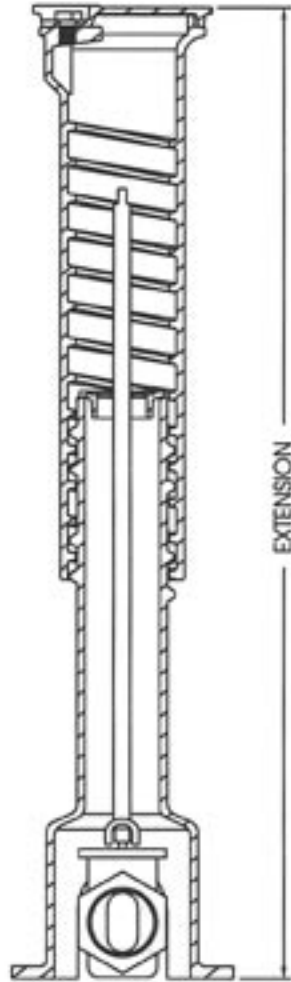
CODE	Weight (Lb)
V314	0.8

BIBBY STE-CROIX

U S A

Division of McWane Inc.

SCREW STYLE



*CURB STOP, ROD & RING NOT INCLUDED

SERVICE BOX COMPLETE

CODE	EXTENSION (IN.)	Weight (lb)	FIG #
V342	32-46	37	3
V343	32-53	43	4
V344	45-60	49	5

NOTE: "WATER" COVER SHIPPED UNLESS OTHER SPECIFIED.

BIBBY  **STE-CROIX**

U S A

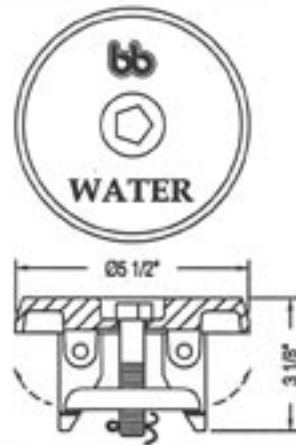
Division of McWane Inc.

WATER COVER



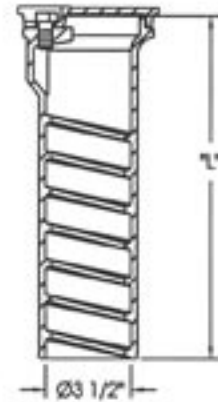
CODE	Weight (Lb)	MODEL
V398	2	WATER
V399	2	GAS

OLD STYLE REPAIR LID



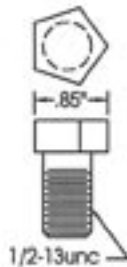
CODE	Weight (Lb)
S410	3

SCREW TOP



CODE	L (IN.)	Weight (Lb)
S377	17	17
S378	24	23

BRASS BOLT



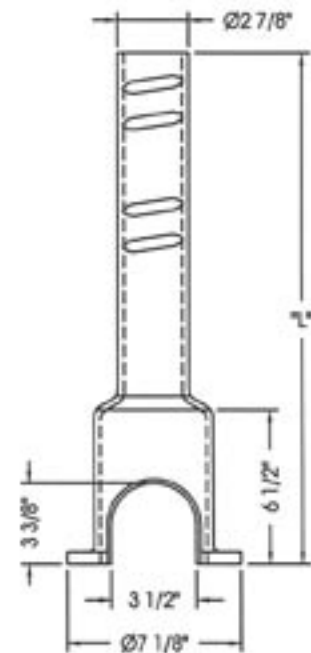
CODE	Weight (Lb)
V312	0.2

KEY FOR PENTAGON HEAD



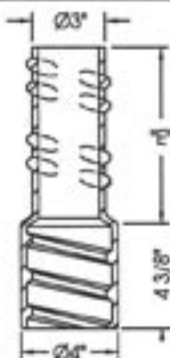
CODE	Weight (Lb)
V314	0.8

SCREW BOTTOM



CODE	L (IN.)	Weight (Lb)
V396	31	20
V397	40	26

SCREW EXTENSION



CODE	E (IN.)	Weight (Lb)
V389	9	10
V390	20	16

RODS AND RINGS

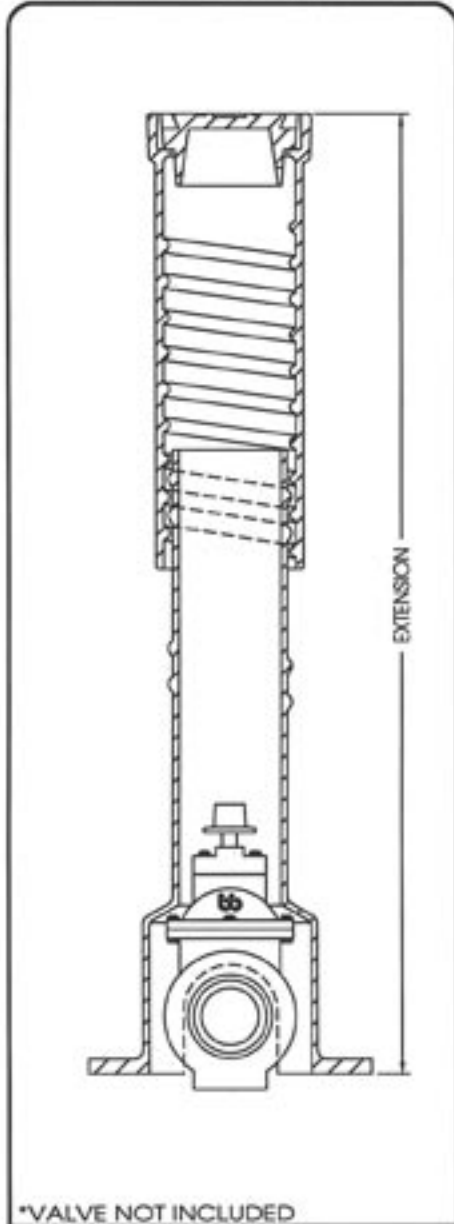
CODE	FIG #	L (IN.)	Weight (Lb)
S321	3	31	2
S321	4	31	3
S323	5	38	3
V338	RING ONLY		0.5

BIBBY STE-CROIX

U S A

Division of McWane Inc.

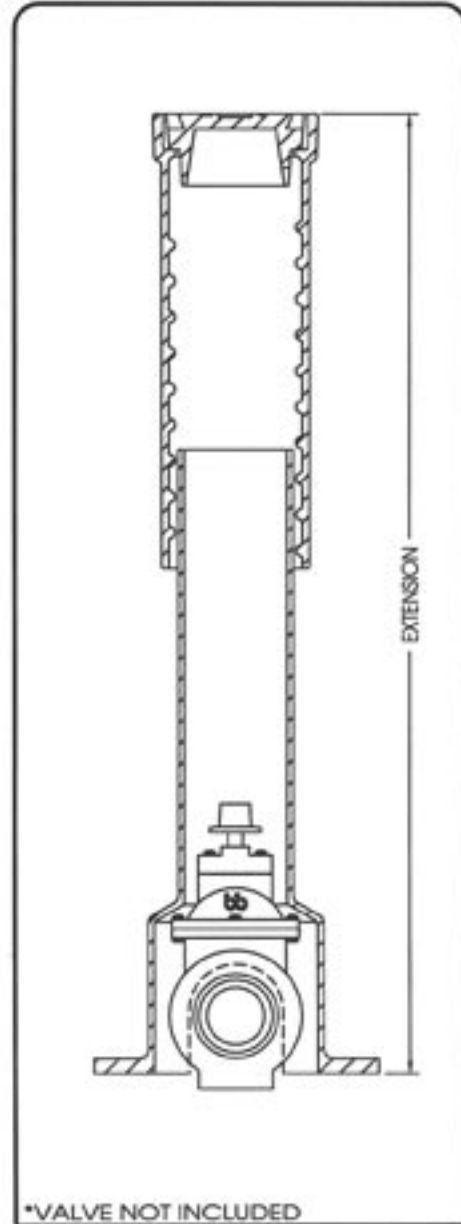
SCREW STYLE



ROADWAY BOX COMPLETE

CODE	EXTENSION (IN.)	Weight (Lb)	FIG #
V422	27-40	61	142-R
V423	33-46	67	143-R
V424	38-51	73	144-R
V425	46-59	80	145-R

SLIDE STYLE



ROADWAY BOX COMPLETE

CODE	EXTENSION (IN.)	Weight (Lb)	FIG #
V446	30-44	67	142-R
V447	32-51	74	143-R
V448	38-56	80	144-R
V449	46-64	88	145-R

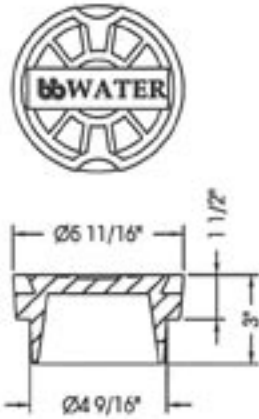
NOTE: "WATER" COVER SHIPPED UNLESS OTHER SPECIFIED.

BIBBY STE-CROIX

U S A

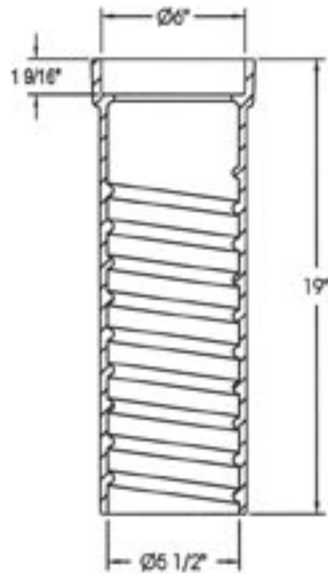
Division of McWane Inc.

WATER COVER



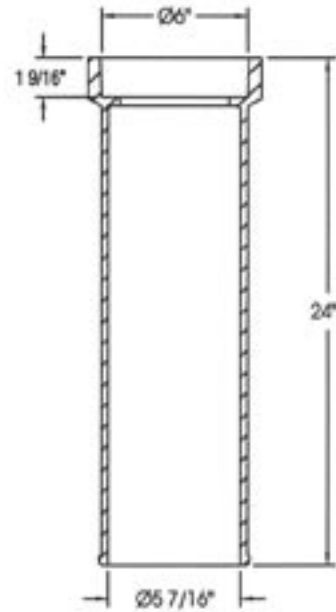
CODE	Weight (Lb)	MODEL
V502	8	WATER
V504	8	GAS
V505	8	SEWER

SCREW TOP



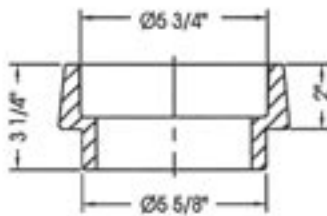
CODE	Weight (Lb)
V468	28

SLIDE TOP



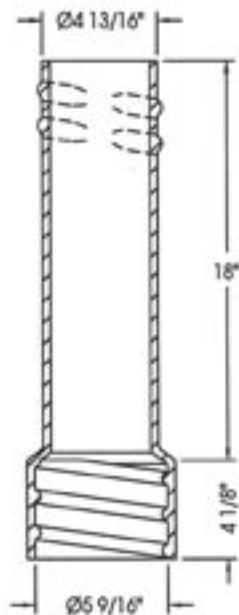
CODE	Weight (Lb)
V469	35

RISER



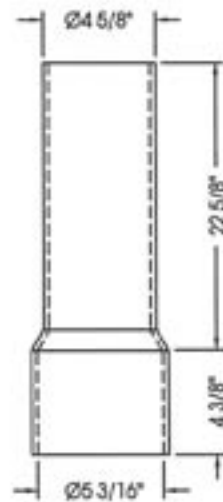
CODE	Weight (Lb)
V493	8

SCREW EXTENSION



CODE	Weight (Lb)
V497	27

SLIDE EXTENSION



CODE	Weight (Lb)
V499	23

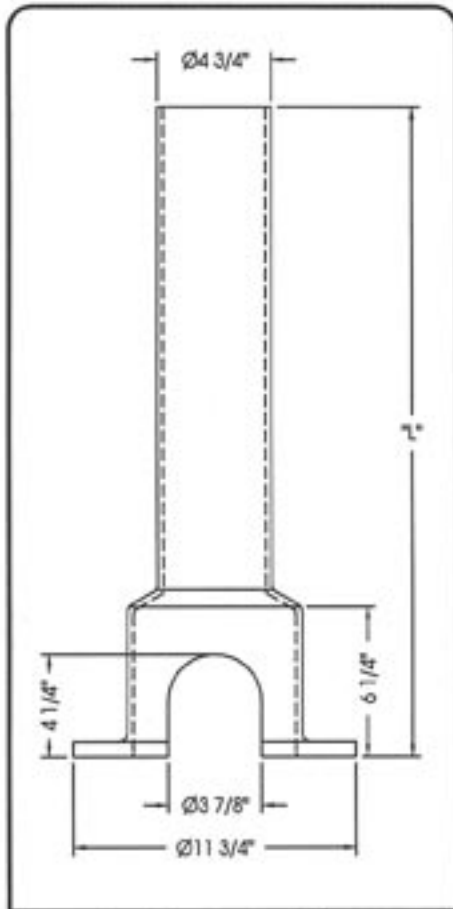
BIBBY



STE-CROIX

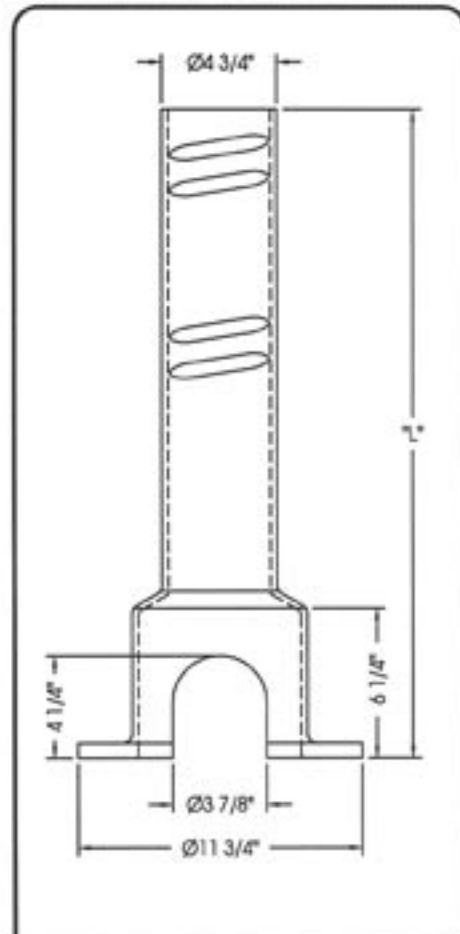
U S A

SLIDE BOTTOM



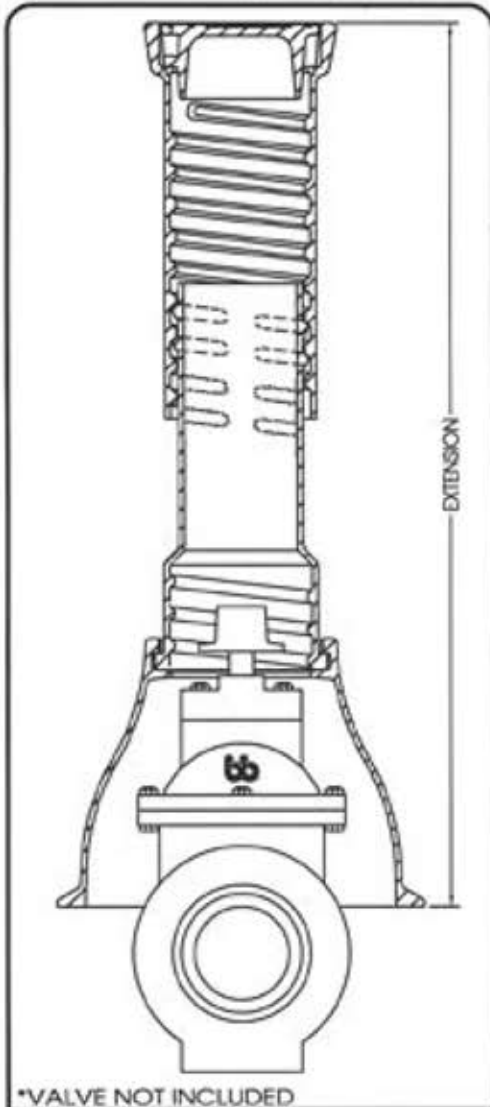
CODE	L (IN.)	Weight (Lb)
V478	24	24
V479	31	31
V480	36	37
V482	44	45

SCREW BOTTOM



CODE	L (IN.)	Weight (Lb)
V488	25	28
V489	31	34
V490	35	37
V491	44	45

3 PC. SCREW STYLE



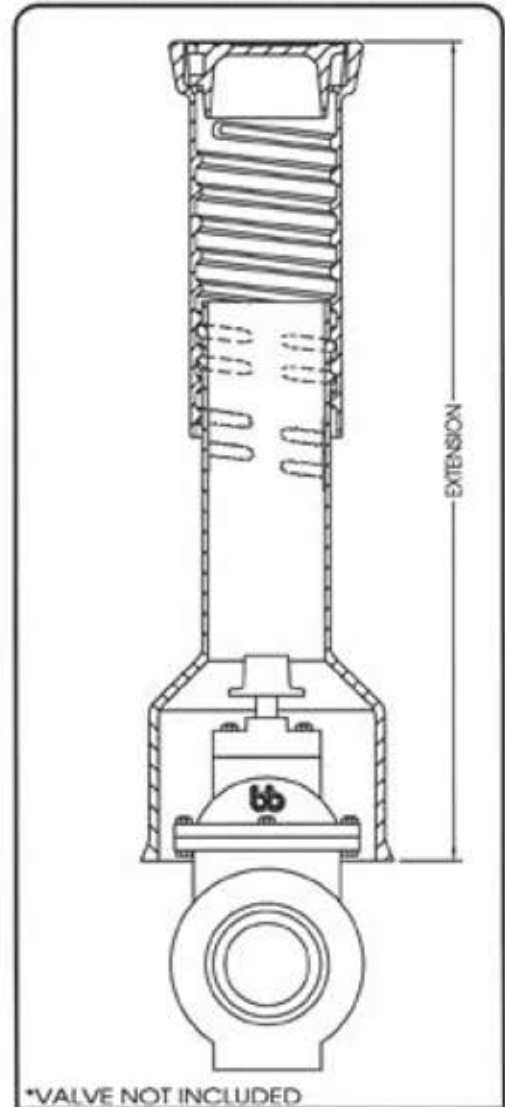
VALVE BOX COMPLETE

CODE	EXTENSION (IN.)	Weight (Lb)	FIG #
V615	22-31	95	AA
V616	32-43	112	A
V617	38-49	118	B
V618	44-55	122	C
V619	47-58	128	CC
V620	44-65	141	D
V622	48-68	147	E
V627 ¹	61-81	173	F
V626 ¹	73-94	183	G

NOTE-BOX SHIPPED WITH WATER COVER & No.6 BASE UNLESS OTHERWISE SPECIFIED.

¹ NOTE-EXTENSION SUPPLIED TO MAKE THESE BOXES.

2 PC. SCREW STYLE

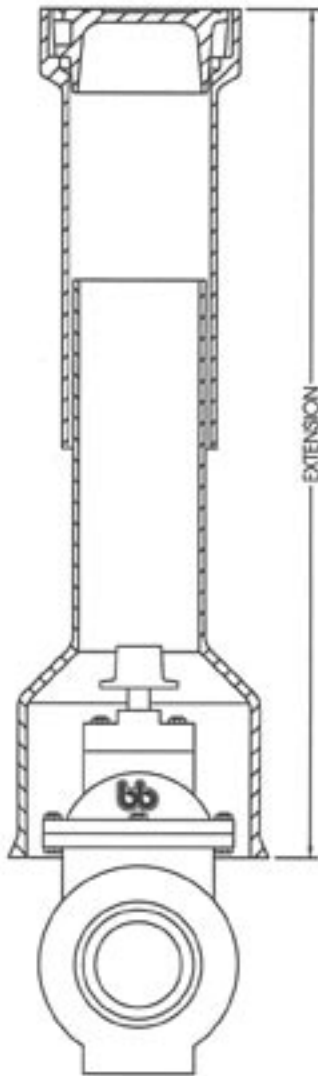


VALVE BOX COMPLETE

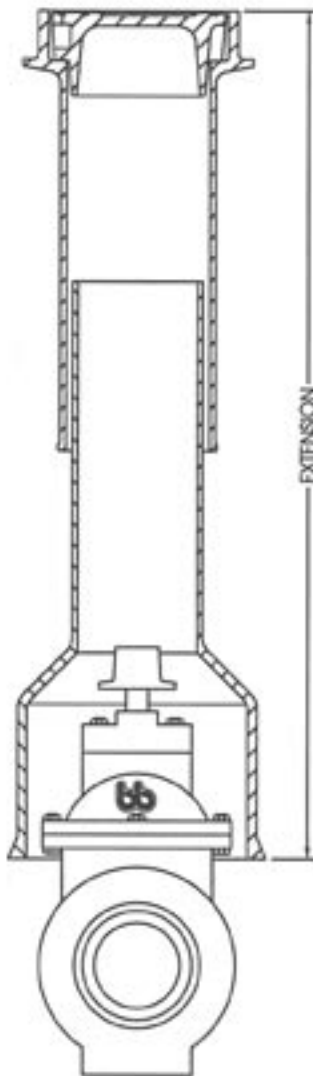
CODE	EXTENSION (IN.)	Weight (Lb)	FIG #
V649	26-37	80	#20
V650	38-49	99	#21
V651	32-53	108	#21A
V652	38-59	118	#22
V653 ¹	52-73	132	#23
V654 ¹	64-85	151	#24

NOTE-“WATER” COVER SHIPPED UNLESS OTHER SPECIFIED.

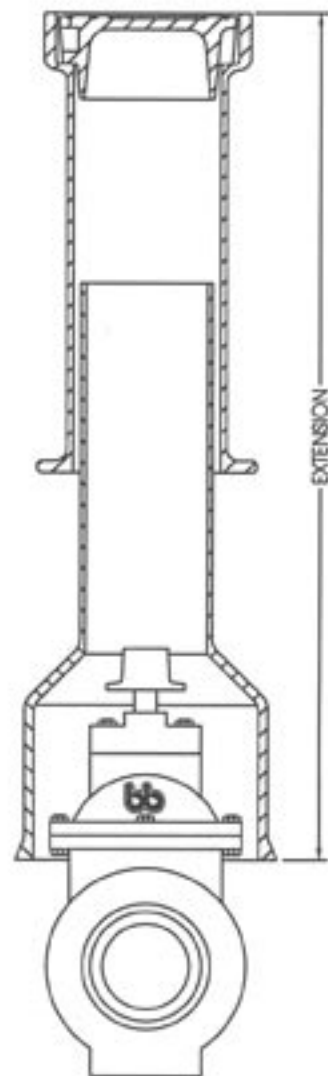
¹ NOTE-EXTENSION SUPPLIED TO MAKE THESE BOXES.

2 PC. SLIDE STYLE
NO FLANGE

*VALVE NOT INCLUDED

2 PC. SLIDE STYLE
TOP FLANGE

*VALVE NOT INCLUDED

2 PC. SLIDE STYLE
BOTTOM FLANGE

*VALVE NOT INCLUDED

VALVE BOX COMPLETE

CODE	EXTENSION (IN.)	Weight (Lb)	FIG #
V672	18 - 22	61	5560S
V673	26 - 36	76	5562S
V676	38 - 48	86	5564S
V679	32 - 52	96	5662S
V682	38 - 58	101	5664S
V685	52 - 72	109	5666S
V688	62 - 82	117	5668S

VALVE BOX COMPLETE

CODE	EXTENSION (IN.)	Weight (Lb)	FIG #
V671	18 - 22	76	5560S
V674	26 - 36	81	5562S
V677	38 - 48	87	5564S
V680	32 - 52	93	5662S
V683	38 - 58	100	5664S
V686	52 - 72	109	5666S
V689	62 - 82	116	5668S

VALVE BOX COMPLETE

CODE	EXTENSION (IN.)	Weight (Lb)	FIG #
V675	26 - 36	81	5562S
V678	38 - 48	91	5564S
V681	32 - 52	95	5662S
V684	38 - 58	100	5664S
V687	52 - 72	109	5666S
V690	62 - 82	115	5668S

NOTE: "WATER" COVER SHIPPED UNLESS OTHER SPECIFIED.

BIBBY

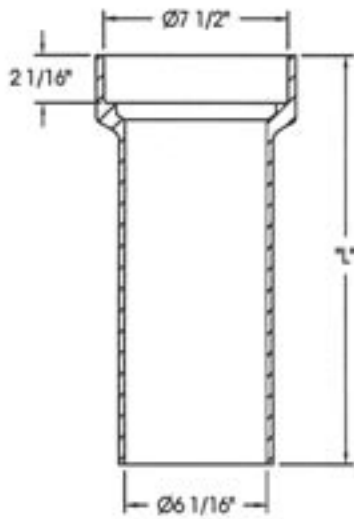


STE-CROIX

U S A

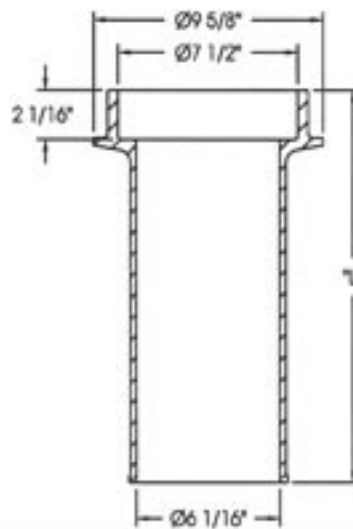
Division of McWane Inc.

SLIDE TOP NO FLANGE



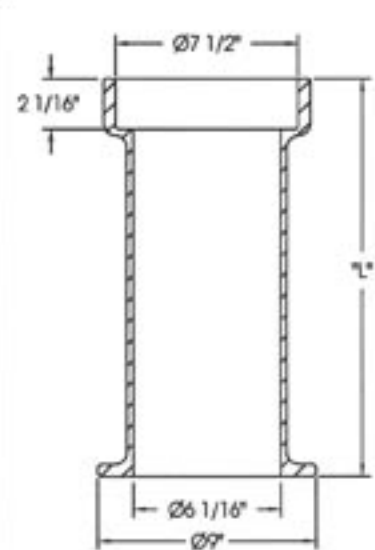
CODE	L (IN.)	Weight (Lb)
V738	10	19
V739	16	26
V744	26	41
V749	36	51

SLIDE TOP TOP FLANGE



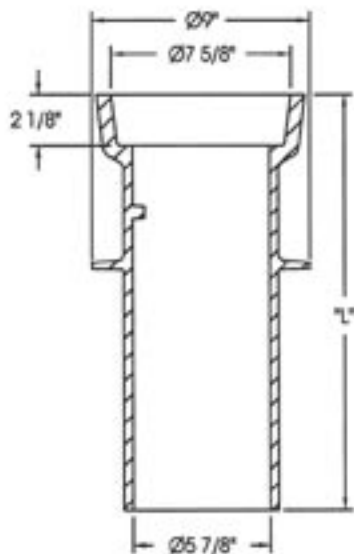
CODE	L (IN.)	Weight (Lb)
V737	10	22
V741	16	27
V747	26	38
V750	36	53

SLIDE TOP BOTTOM FLANGE



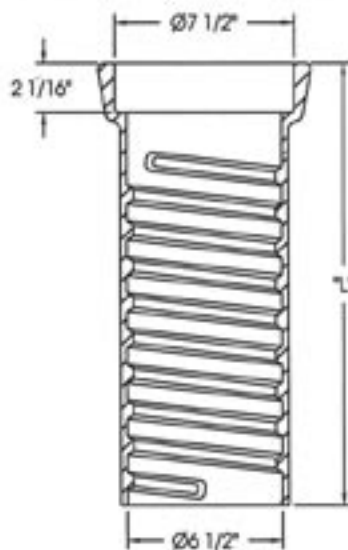
CODE	L (IN.)	Weight (Lb)
V743	16	31
V748	26	40

SLIDE TOP MIDDLE FLANGE



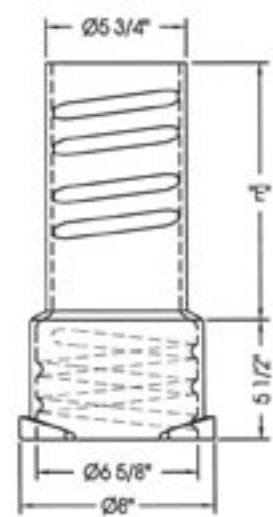
CODE	L (IN.)	Weight (Lb)
V757	26	41

SCREW TOP



CODE	L (IN.)	Weight (Lb)
V733	10	21
V734	17	32
V735	27	51

SCREW EXTENSION



CODE	E (IN.)	Weight (Lb)
V813-#57	9	20
7344-#58	14	26
7345-#59	18	32
V816-#60	26	36
V817-#61	29	42

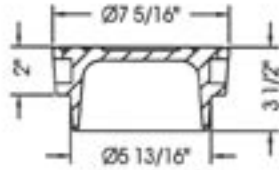
BIBBY STE-CROIX

U S A

Division of McWane Inc.

WATER COVER

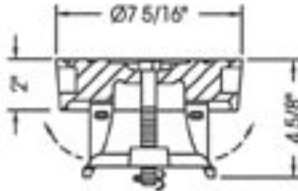
For off road or low traffic flow



CODE	Weight (Lb)	MODEL
V878	13	WATER
V879	13	GAS
V880	13	SEWER

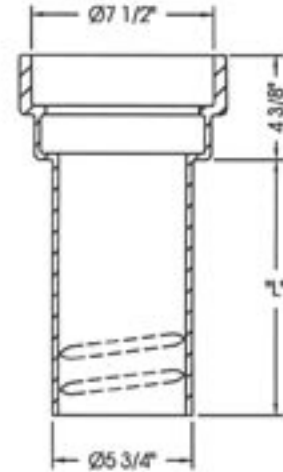
LOCKING COVER

For high traffic flow



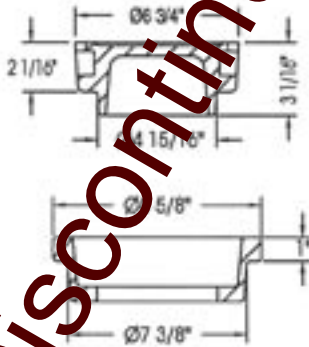
CODE	Weight (Lb)
S881	13

ADJUSTABLE SCREW RISERS



CODE	L (IN.)	Weight (Lb)
V852	12 1/2	26
V853	24	39
V854	30	46

1" FIXED RISER W/SPECIAL COVER

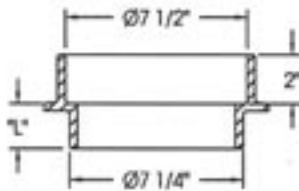


SPECIAL RISER COVER

*RISER WITH COVER

CODE	Description	Weight (Lb)
*S833	COMPLETE	23
V834	RISER ONLY	9
V877	COVER ONLY	14

FIXED RISERS



RISERS ACCEPT REGULAR COVER

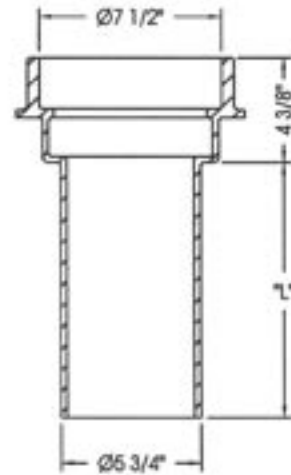
CODE	L (IN.)	Weight (Lb)
V829	1	6
V830	1 1/2	7
V831	2	9
V832	3	13
V833	4	14

KEY FOR PENTAGON HEAD



CODE	Weight (Lb)
V314	0.8

ADJUSTABLE SLIDE RISERS



CODE	L (IN.)	Weight (Lb)
V856	6	19
V858	12	26
V862	24	39

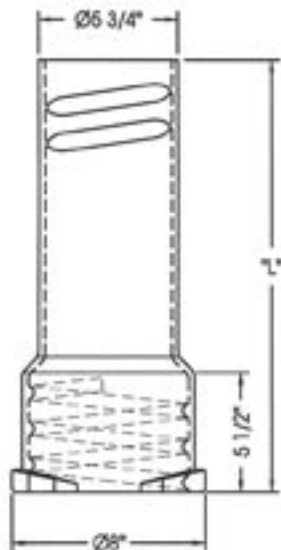
BIBBY



STE-CROIX

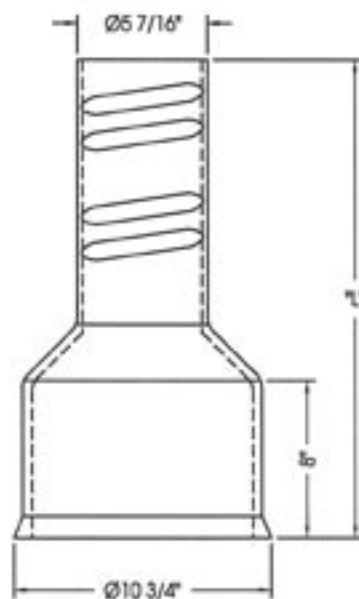
U S A

SCREW BOTTOM



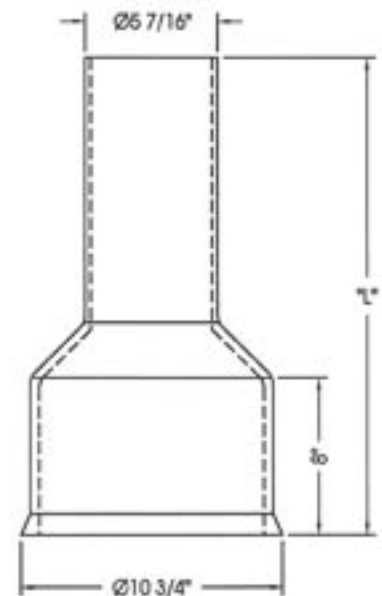
CODE	L (IN.)	Weight (Lb)
V813 #57	14	20
7344 #58	19	26
7345 #59	23 1/2	32
V816 #60	31	36
V817 #61	34	42

SCREW BELL BOTTOM



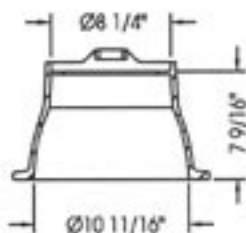
CODE	L (IN.)	Weight (Lb)
V770	24	35
V771	30	44
V772	36	54

SLIP BELL BOTTOM



CODE	L (IN.)	Weight (Lb)
V791	16	30
V792	24	37
V794	30	42
7354	36	47
7355	48	56
7356	60	63

#4 BASE



FOR 4 INCHES VALVES OR SMALLER.

CODE	Weight (Lb)
V868	29

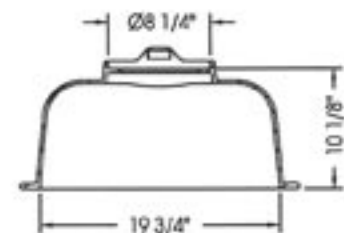
#6 BASE



FOR 8 INCHES VALVES OR SMALLER.

CODE	Weight (Lb)
7341	41

#160 OVAL BASE



FOR 16 INCHES VALVES OR SMALLER.

CODE	Weight (Lb)
V870	54

BIBBY

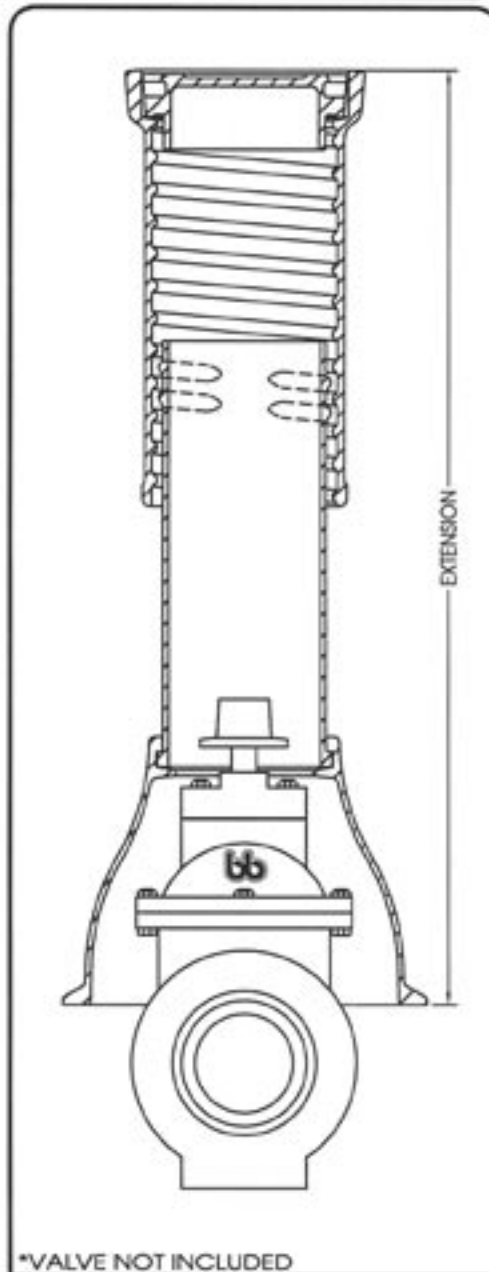


STE-CROIX

U S A

Division of McWane Inc.

SCREW STYLE

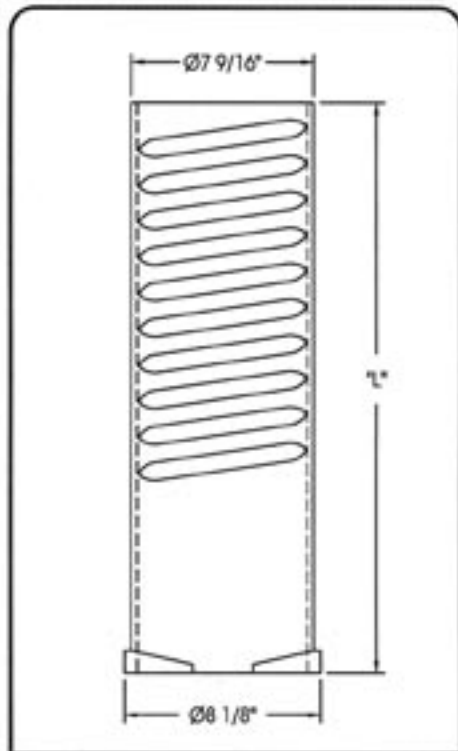


VALVE BOX COMPLETE

CODE	EXTENSION (IN.)	Weight (Lb.)	FIG #
V952	33-45	156	J
V953	39-51	169	K
V954	39-61	192	L

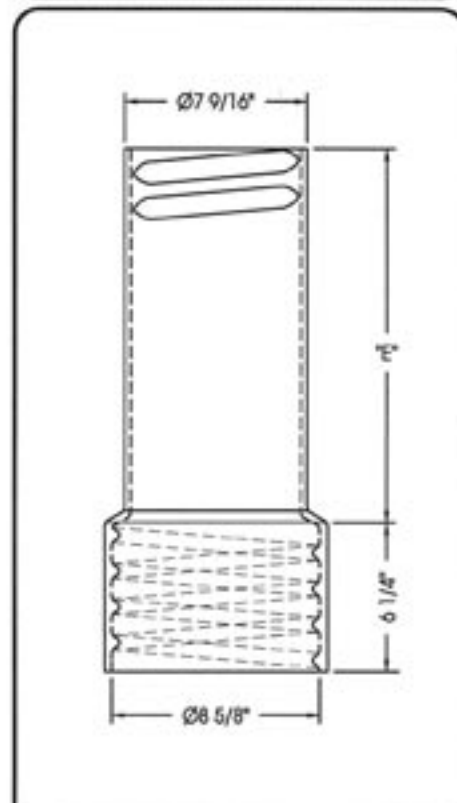
NOTE: BOX SHIPPED WITH WATER COVER & No.6 BASE
UNLESS OTHERWISE SPECIFIED.

SCREW BOTTOM



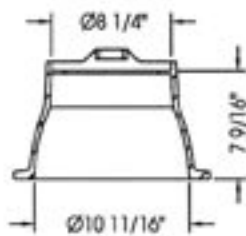
CODE	L (IN.)	Weight (Lb)
V976	15	17
V978	18	33
V979	26	46

SCREW EXTENSION



CODE	E (IN.)	Weight (Lb)
V983	14	44

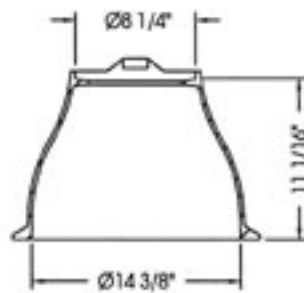
#4 BASE



FOR 4 INCHES VALVES OR SMALLER.

CODE	Weight (Lb)
V868	29

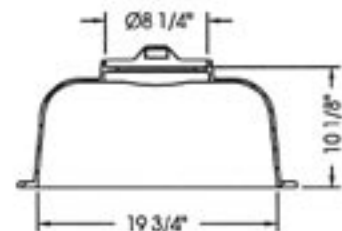
#6 BASE



FOR 8 INCHES VALVES OR SMALLER.

CODE	Weight (Lb)
7341	41

#160 OVAL BASE



FOR 16 INCHES VALVES OR SMALLER.

CODE	Weight (Lb)
V870	54

BIBBY

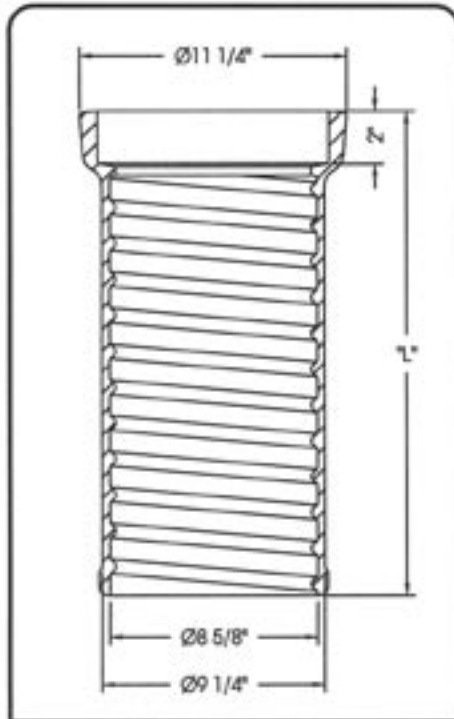


STE-CROIX

U S A

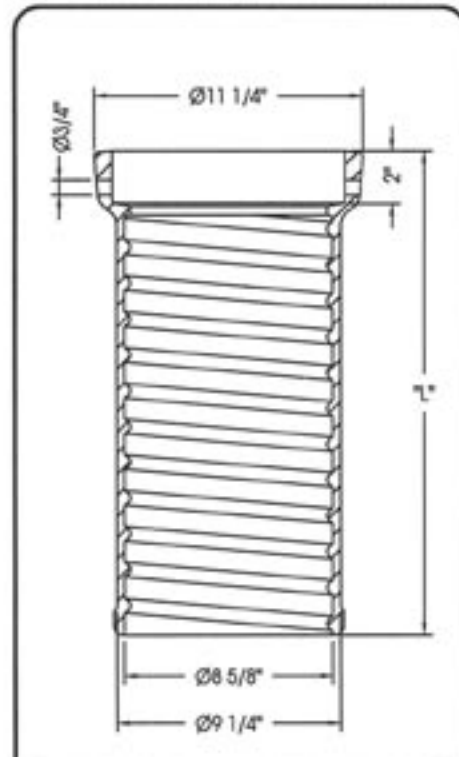
Division of McWane Inc.

SCREW TOP



CODE	L (IN.)	Weight (Lb)
V970	12	42
V971	18	59
V972	26	82

CITY OF BUFFALO SCREW TOP



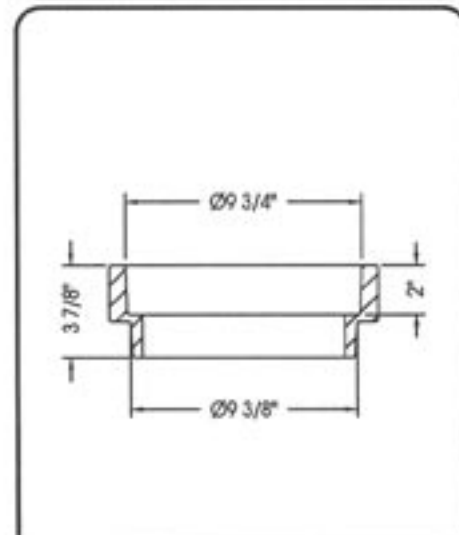
CODE	L (IN.)	Weight (Lb)
V973	26	82

WATER COVER



CODE	Weight (Lb)	MODEL
V990	23	WATER
V991	23	GAS
V992	23	SEWER

RISER



CODE	Weight (Lb)
V981	20

TERMS AND CONDITIONS OF SALE OF THE PRODUCTS SOLD BY BIBBY-STE-CROIX U.S.A. INC.

Unless otherwise stipulated, all products sold by BIBBY-STE-CROIX U.S.A. INC. (the "Seller") shall be subject to the following terms and conditions:

A. PRICE

Soil Pipes, fittings and municipal products:

The price of such products appears in a list of prices made out, from time to time, by the Seller and shall be subject to the discounts and other conditions agreed upon by the Seller and the buyer of such products.

Special products:

The price of such products is net, F.O.B. point of manufacture, and does not include any taxes or other charges which the Seller has the obligation to collect from the buyer; moreover, any liability shall be assumed by the buyer from the time it becomes owner of such products or if it has bound itself to contract an insurance policy against any risks inherent to the products manufactured by the Seller.

The price of special products manufactured by the Seller shall always be based upon the quotation tendered and shall be valid for a period of ninety (90) days from the date of such quotation; any orders resulting from that quotation shall be subject to acceptance by the Seller and price quoted is for specified quantities.

B. DELIVERY

Delivery dates are approximate and are always based on prompt receipt by the Seller of a specific order, together with other documents and information necessary to allow the Seller to proceed promptly with work, and this, according to the usual procedure of the Seller; such delivery dates may also vary according to the undertakings agreed upon by the buyer with regard to the methods of payment of the products bought from the Seller, including but not limited to, satisfactory confirmation of buyer's credit.

Notwithstanding any provision to the contrary, the Seller shall never be liable for any damage resulting from any delay, in the process of delivery, caused by any circumstances beyond its control, in whole or in part.

C. ACCEPTANCE OF GOODS

The buyer's failure to notify the Seller within ten (10) days after the goods have been received by it shall constitute acceptance of the goods; the use of the goods, in whole or in part, shall constitute acceptance by the buyer of the goods bought from the Seller.

D. WARRANTY

The Seller warrants that the goods of its manufacture are free from all defects and are in accordance with the normal use they are destined for; in the event that any of the goods is defective and that satisfactory proof of such situation is given to the Seller, then the Seller will replace without cost the defective good inasmuch as such defect is notified to the Seller within one (1) year from the delivery date of the good, being understood that any dismantling, installation, transportation and packaging costs will be bore by the buyer.

The foregoing warranty shall constitute each and all of the obligations which are incumbent upon the Seller when a good manufactured by the Seller is defective and is in lieu of all other undertakings, representations and warranties, written, verbal, statutory, express or implied which might be known by the buyer or to which the buyer is entitled.

The buyer expressly agrees that the Seller will not be liable for any other damage which might be incurred by the buyer in connection with the obligations of warranty of which it is the beneficiary.

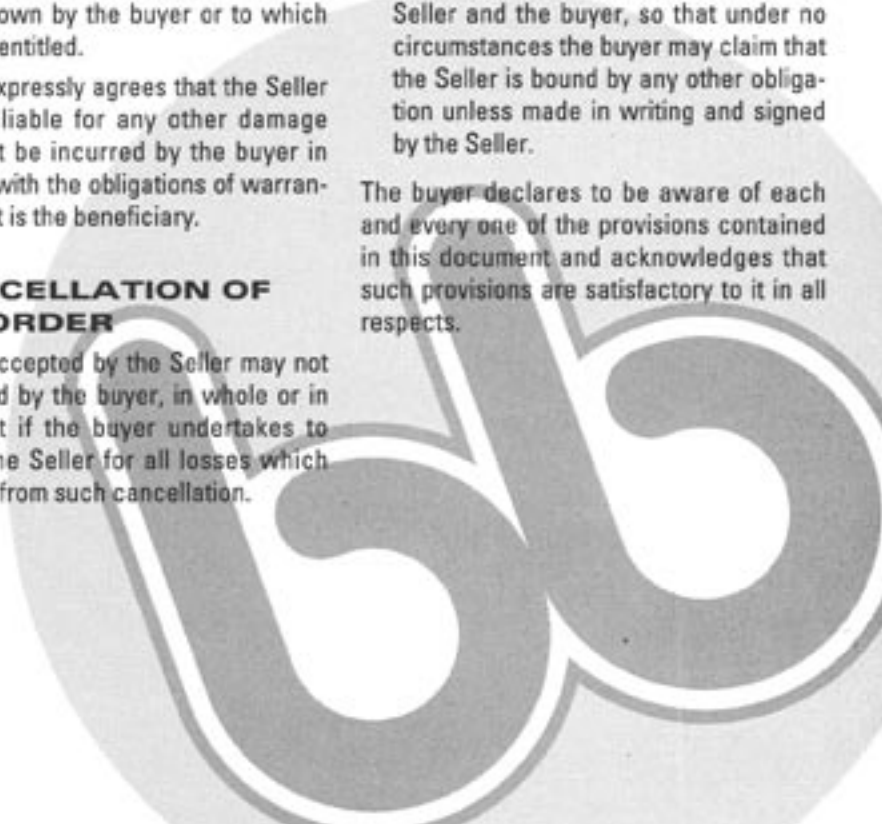
E. CANCELLATION OF AN ORDER

Any order accepted by the Seller may not be cancelled by the buyer, in whole or in part, except if the buyer undertakes to indemnify the Seller for all losses which might result from such cancellation.

F. MISCELLANEOUS

- a) The Seller and the buyer agree that their rights and obligations shall be governed, in all respects, by the laws of the Province of Québec and that any remedy which might be available under the present terms and conditions of sale shall be exercised in the judicial district of Québec;
- b) Failure by the Seller to fully exercise the rights and remedies to which it is entitled in accordance with the present terms and conditions of sale, shall not be considered as a waiver thereof for the future;
- c) Soil pipes, fittings and municipal products may be returned to the Seller if, prior to such return, the Seller has given its written consent, if the returned products may be resold, considering their state and condition, and this, from the evaluation that will be made by the Seller, if the buyer agrees to bear the transportation costs pertaining to such goods and if the buyer agrees to pay to the Seller a sum equal to thirty (30%) of the price of the returned goods as handling charge;
- d) The terms and conditions of sale herein set forth constitute the sole understanding which is binding upon the Seller and the buyer, so that under no circumstances the buyer may claim that the Seller is bound by any other obligation unless made in writing and signed by the Seller.

The buyer declares to be aware of each and every one of the provisions contained in this document and acknowledges that such provisions are satisfactory to it in all respects.





BIBBY-STE-CROIX USA

Division of McWane Inc.

BIBBY STE-CROIX U.S.A. INC.
P.O. Box 280
Sainte-Croix (Québec) G0S 2H0
Phone: (418) 926-3262
1800 463-3480
Fax: (418) 926-2430