



BIBBY-STE-CROIX

SECURE UTILITIES ACCESS

STABILOC[®]

THE STRONGEST LOCK ON EARTH

Made from rugged, corrosion resistant military grade stainless steel alloy, the STABILOC locking system withstands thousands of pounds of lifting force.

Due to the unique design STABILOC is adaptable to work with virtually any manhole frame and cover design.

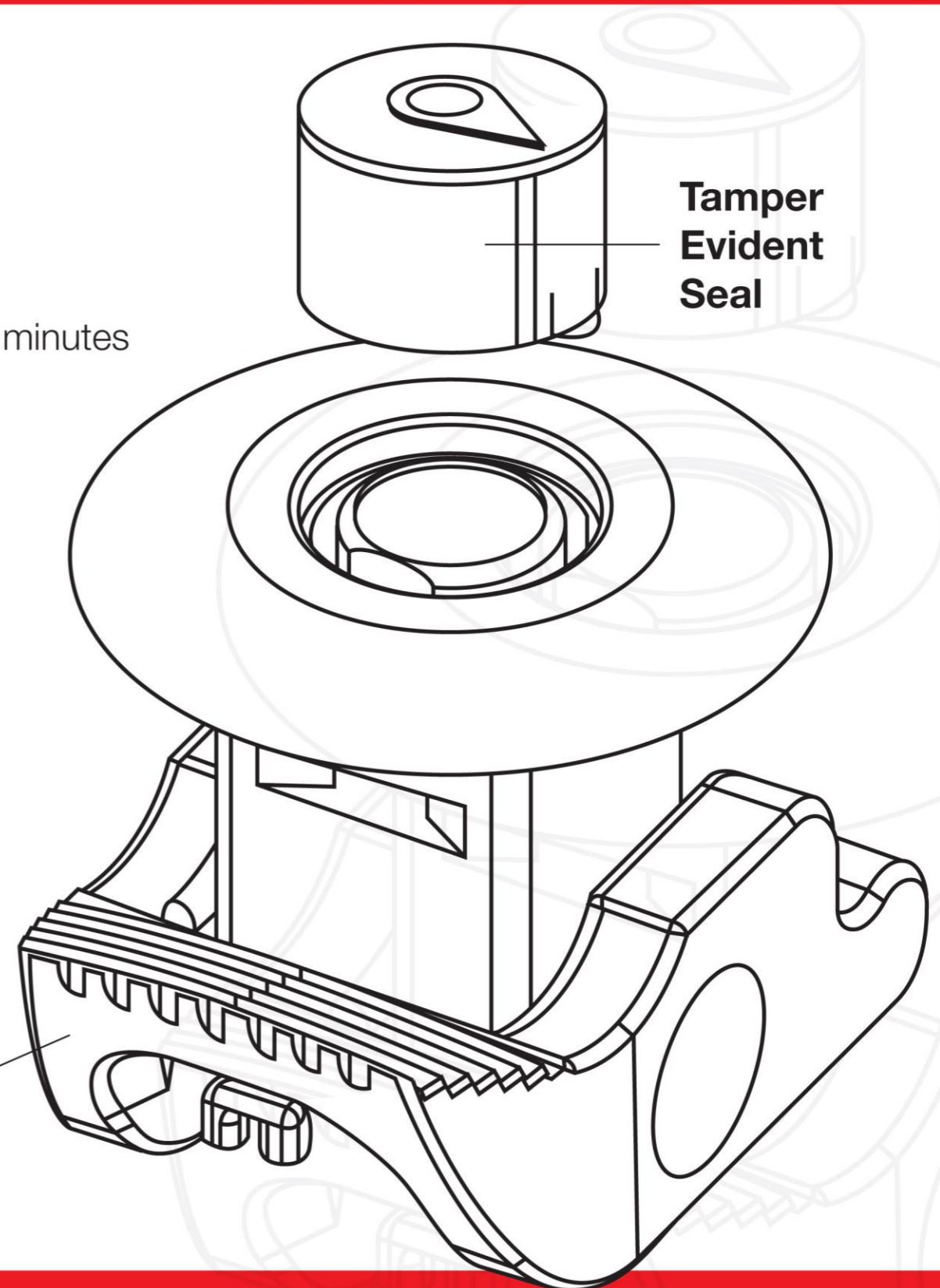


BIBBY-STE-CROIX

STABILOC FEATURES

- Customer-exclusive bolt head/socket available
- Can be opened at any time for clear access in under three minutes
- Tamper proof/evident security seal
- Withstands over 12,000 lbs of lifting force without yield
- Made from high-strength ductile iron castings which receive an ArmorGalv coating – a superior rust protectant warranties the product against failure due to corrosion
- Most cost effective solution – eliminates costly, time consuming, drilling tapping and bolting techniques
 - reduces traffic interruption

STABILOC

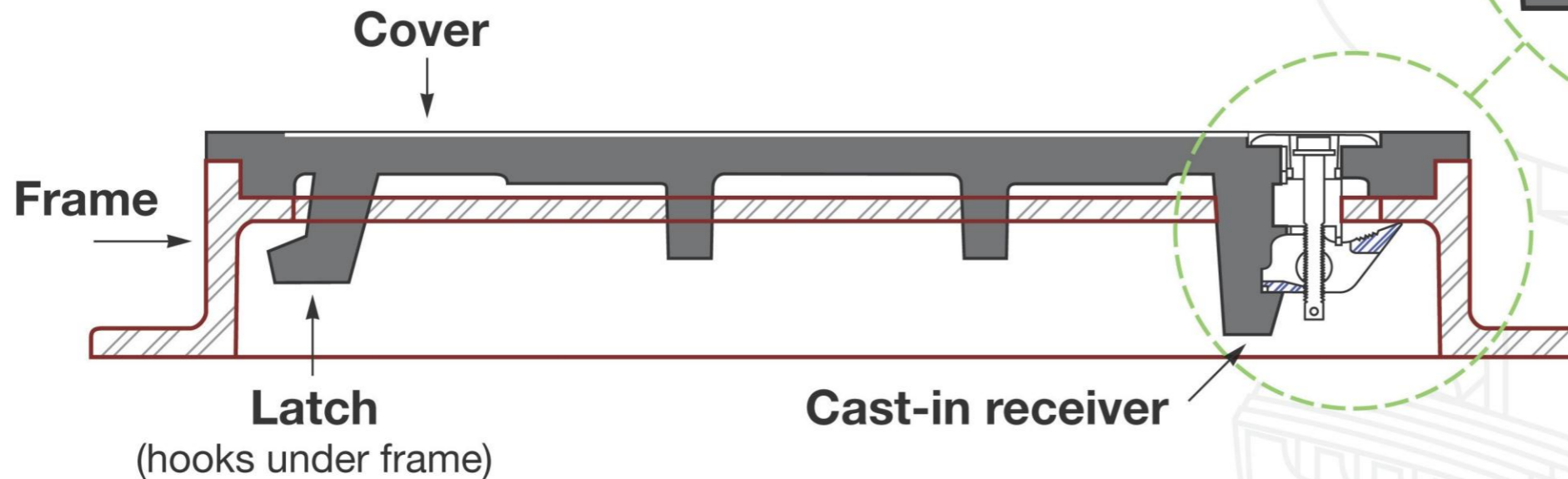




BIBBY-STE-CROIX

NEW COMPATIBLE MANHOLE COVERS

BIBBY-STE-CROIX will produce compatible and machined manhole covers to use with your existing manhole frames. Just swap your old covers for new **STABILOC** covers – it's that easy! Complete sets (frame and cover) also available.





BIBBY-STE-CROIX



EMBOSSSED LOGO

New covers can be provided with any logo enhancing brand recognition. Depending on location these covers are seen by hundreds of people every day!

SPECIAL MARKINGS

Sequential numbering or special nomenclature can be embossed on cover for easy individual identification.



BIBBY-STE-CROIX

RESTRICTED ACCESS

New cover with **STABILOC** installed in existing frame at CFB Borden provides vital communications security. Only one Stabiloc is required per cover.





COMPARISON CHART

ITEM / FEATURE	STABILOC	BOLTS	WELDING	PAN DEVICES
Requires Centering/Indexing	X	✓	X	X
Ergonomically Friendly	✓	X	X	X
Cover is Secured to Frame	✓	✓	✓	X
Cover Remains at Street Level	✓	✓	✓	X
Approx Time for Entry	<1 Min	5 Minutes	60 Minutes	5 Minutes
Approx Time for Installation	<2 Min	30 Minutes	120 Minutes	10 Minutes
Snowplow Safe	✓	✓	X	X
Customer Exclusive Tooling	✓	✓	X	X
Labour Intensive	X	✓	✓	✓
Cost	\$\$	\$	\$\$\$\$	\$\$\$



BIBBY-STE-CROIX

GENUINE STABILOC ACCESSORIES



STABILOC's system uses a special patented bolt design which is only removable with a matching socket from STABILOC. Custom tooling is available.



The tamper evident seal snaps into the lock body protecting the bolt head from dirt and debris leaving it clean, dry and accessible. Security personnel can easily determine the integrity of the lock ensuring that it has not been tampered with - WITHOUT opening the manhole cover.



The patented STABILOC socket matches the exclusive bolt head design and uses a standard 1/2 inch drive.



The extraction tool assists you in the removal of the tamper evident seal when accessing the manhole cover. The tool attaches to any drill and makes cap removal a snap!