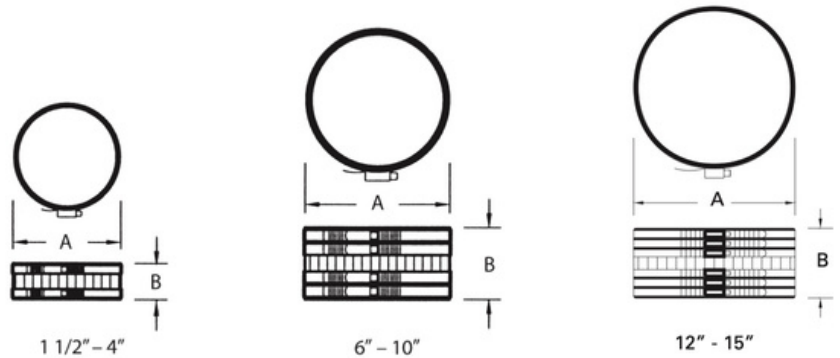


## Series 2000 couplings

The Series 2000 couplings are designed to join cast-iron pipe and fittings in drain, waste and vent applications. Each coupling includes two components: a molded, one-piece neoprene sealing sleeve and a 300 series stainless steel shield clamp assembly.

The couplings sealing sleeves are made of high-purity neoprene. This material delivers superior resistance to decay and deterioration from contact with effluents in the pipe, chemicals in the soil, or air around the pipe. Neoprene can withstand high liquid temperatures up to 100°C/212°F and does not support flame.

Size	Qty / Box	A	B
1 1/2 x 1 1/2 38 x 38	100	2 7/8 54	2 3/16 56
2 x 2 50 x 50	100	2 3/4 70	2 3/16 56
3 x 3 75 x 75	100	3 3/4 95	2 3/16 56
4 x 4 100 x 100	100	4 5/8 117	2 3/16 56
5 x 5 125 x 125	20	5 1/4 146	3 1/16 78
6 x 6 150 x 150	25	6 9/16 167	3 1/16 78
8 x 8 200 x 200	10	8 5/8 219	4 1/16 103
10 x 10 250 x 250	10	10 3/4 273	4 1/16 103
12 x 12 300 x 300	2	12 3/4 324	5 1/2 140
15 x 15 375 x 375	2	15 3/4 400	5 1/2 140
2 x 1 1/2 50 x 38	100	2 3/4 70	2 3/16 56
3 x 2 75 x 50	100	3 1/2 89	2 1/8 54
4 x 2 100 x 50	36	4 3/16 116	2 1/8 54
4 x 3 100 x 75	60	4 3/16 116	2 1/8 54



No-hub couplings are available in sizes from 1 1/2" to 15" in diameter.

Certified to CSA B70 & B602 and listed to CAN/ULC S-102.2-10

The clamp bands on 1 1/2" - 10" diameter couplings require 60 in-lbs. of torque. 12" - 15" diameter couplings require 80 in-lbs. of torque.